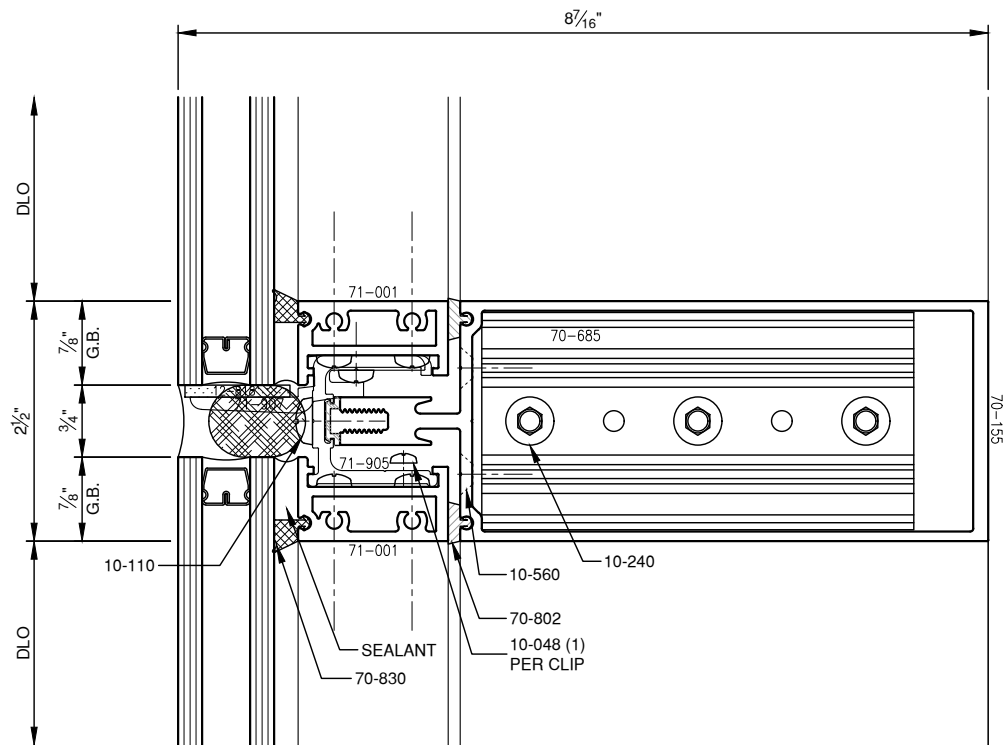


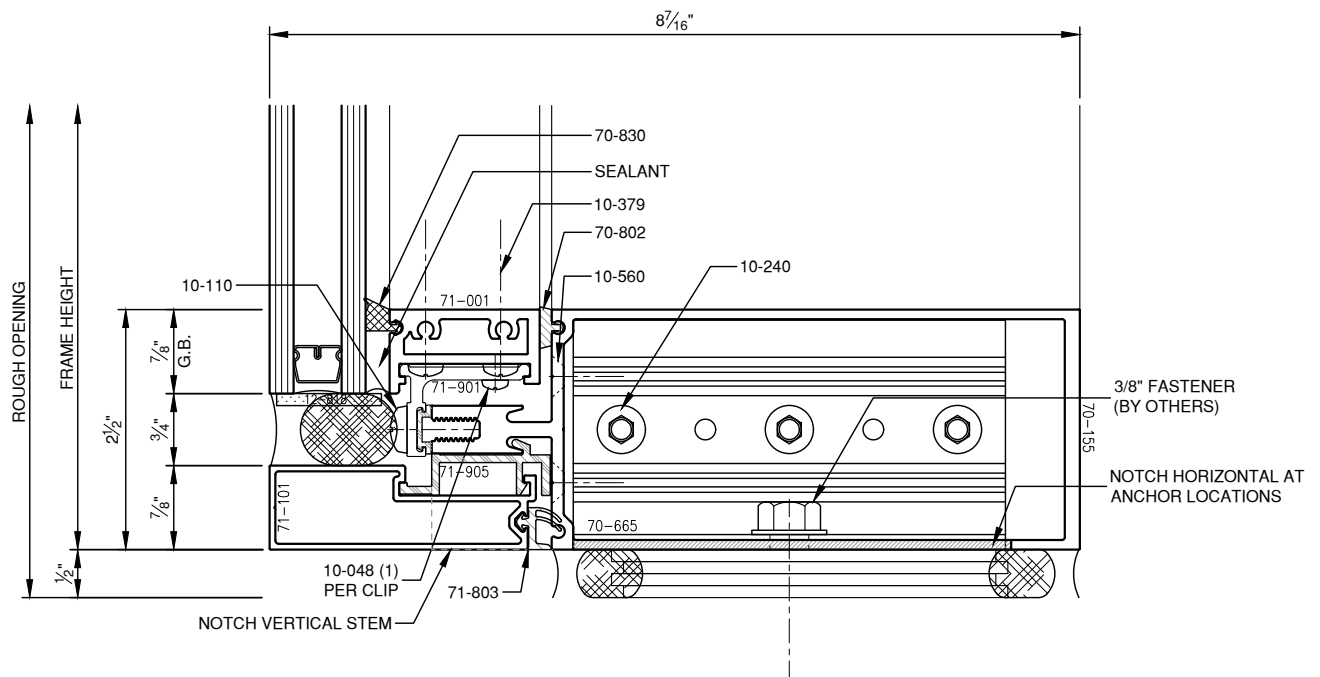
SCALE: HALF



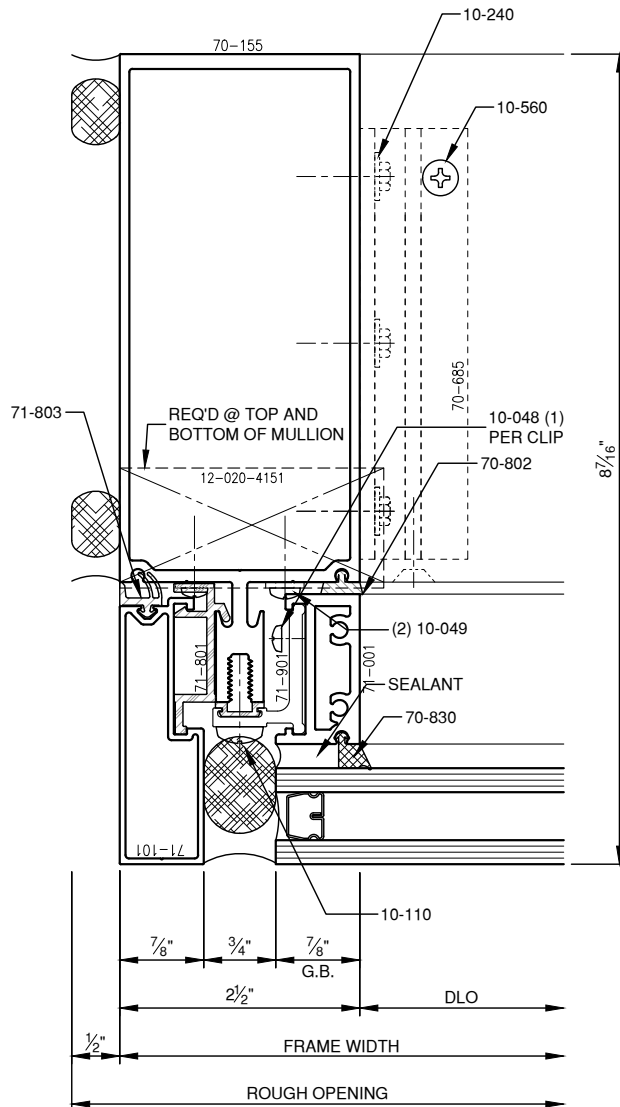
SCALE: HALF

PITTC[®] ARCHITECTURAL METALS, INC.

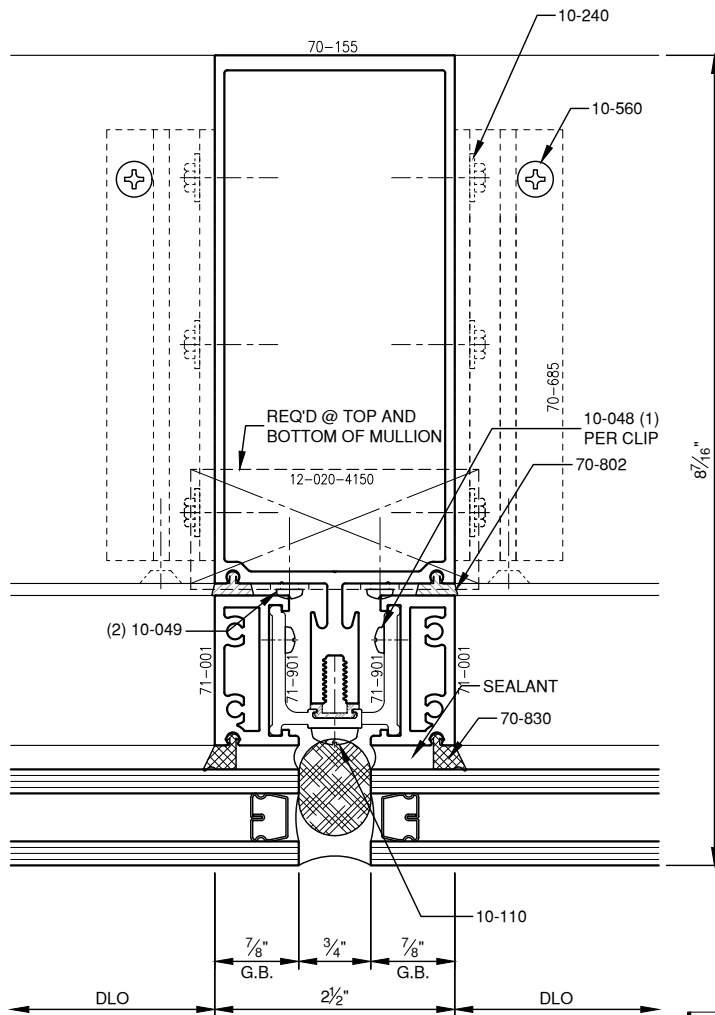
1530 Landmeier Road Elk Grove Village, IL 60007 847-593-3131 fax: 847-593-9946



SCALE: HALF

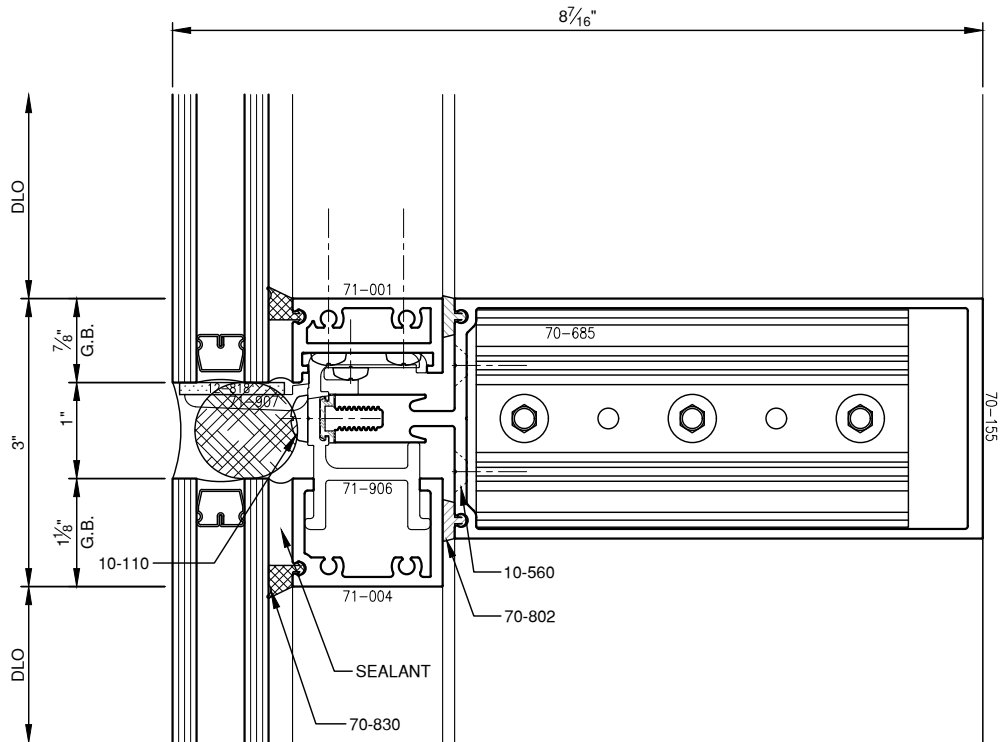


SCALE: HALF



ERECTOR NOTE:
 10-560 SCREW TO BE LOCATED ON BOTTOM OF HORIZONTAL AT ALL HORIZONTALS BELOW 6'-0" AND LOCATED ON TOP OF HORIZONTAL AT ALL HORIZONTALS ABOVE 6'-0"

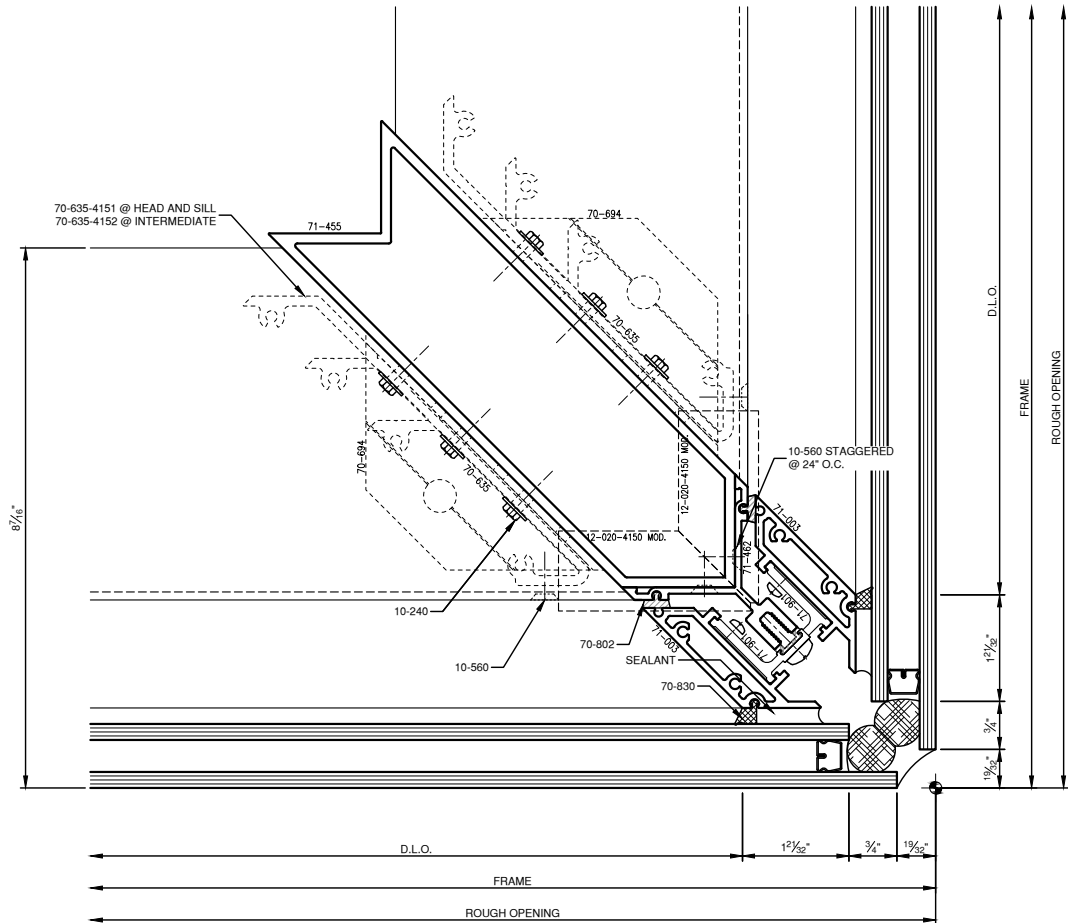
SCALE: HALF



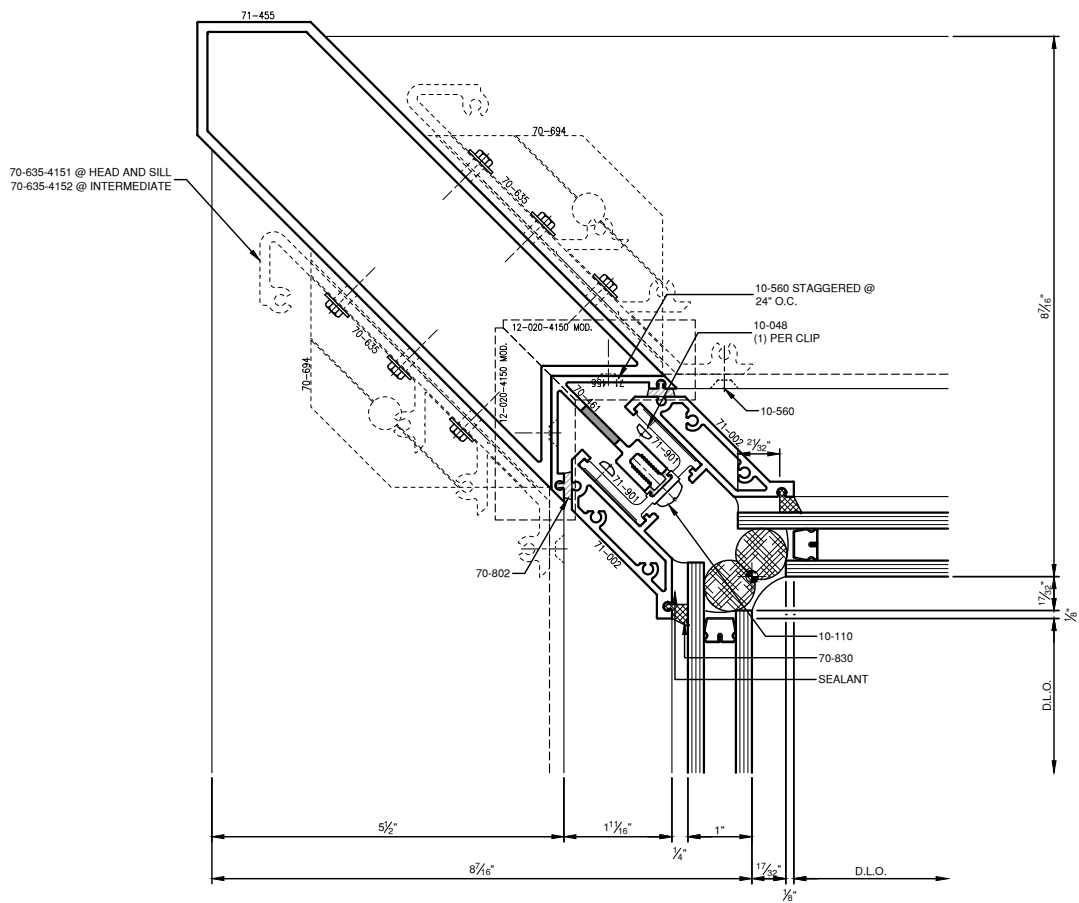
SCALE: HALF

PITTC[®] ARCHITECTURAL METALS, INC.

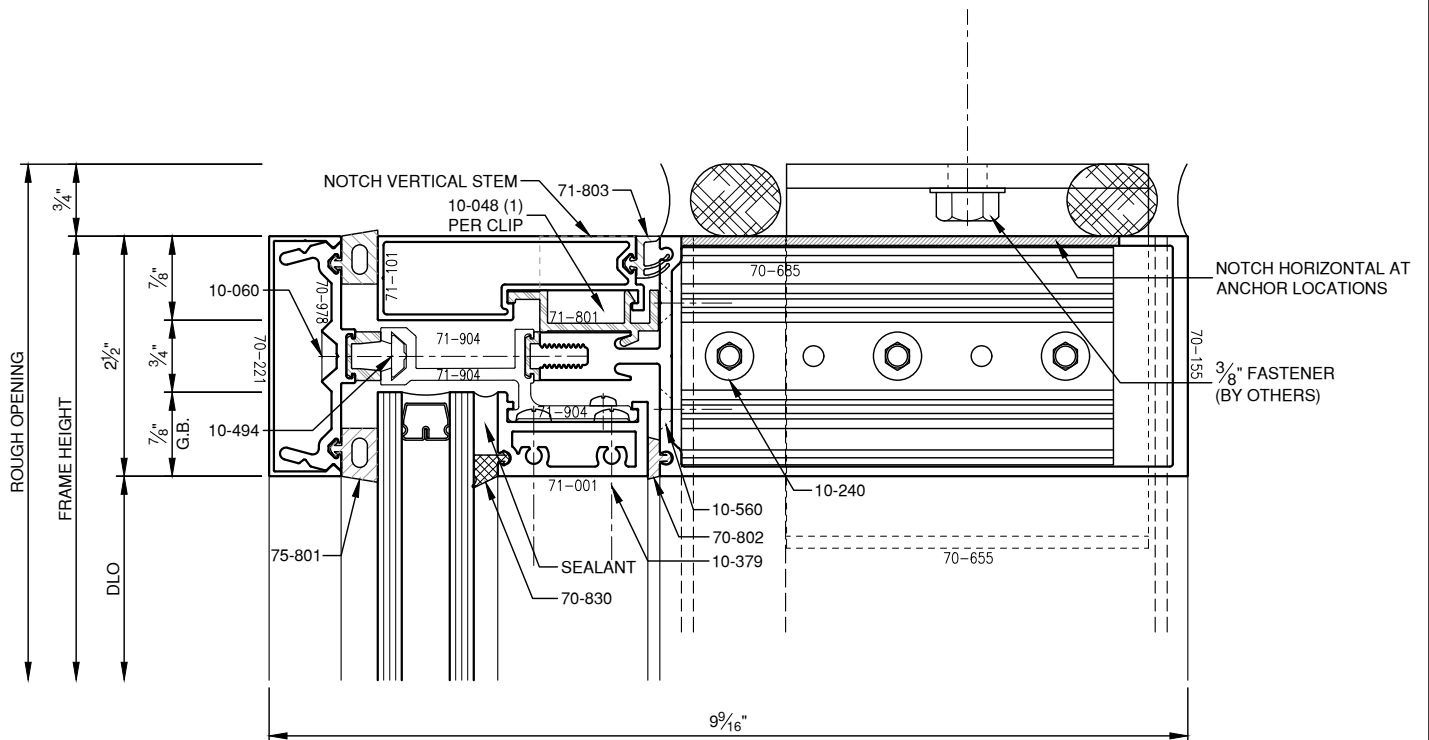
1530 Landmeier Road Elk Grove Village, IL 60007 847-593-3131 fax: 847-593-9946



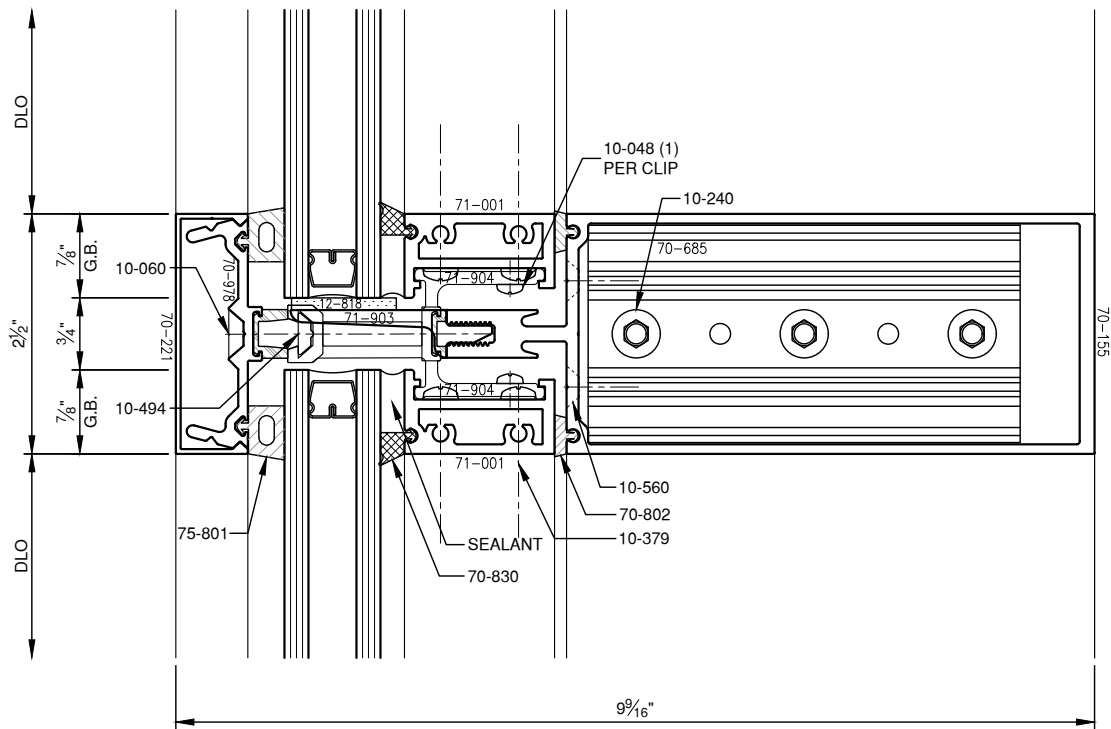
SCALE: HALF



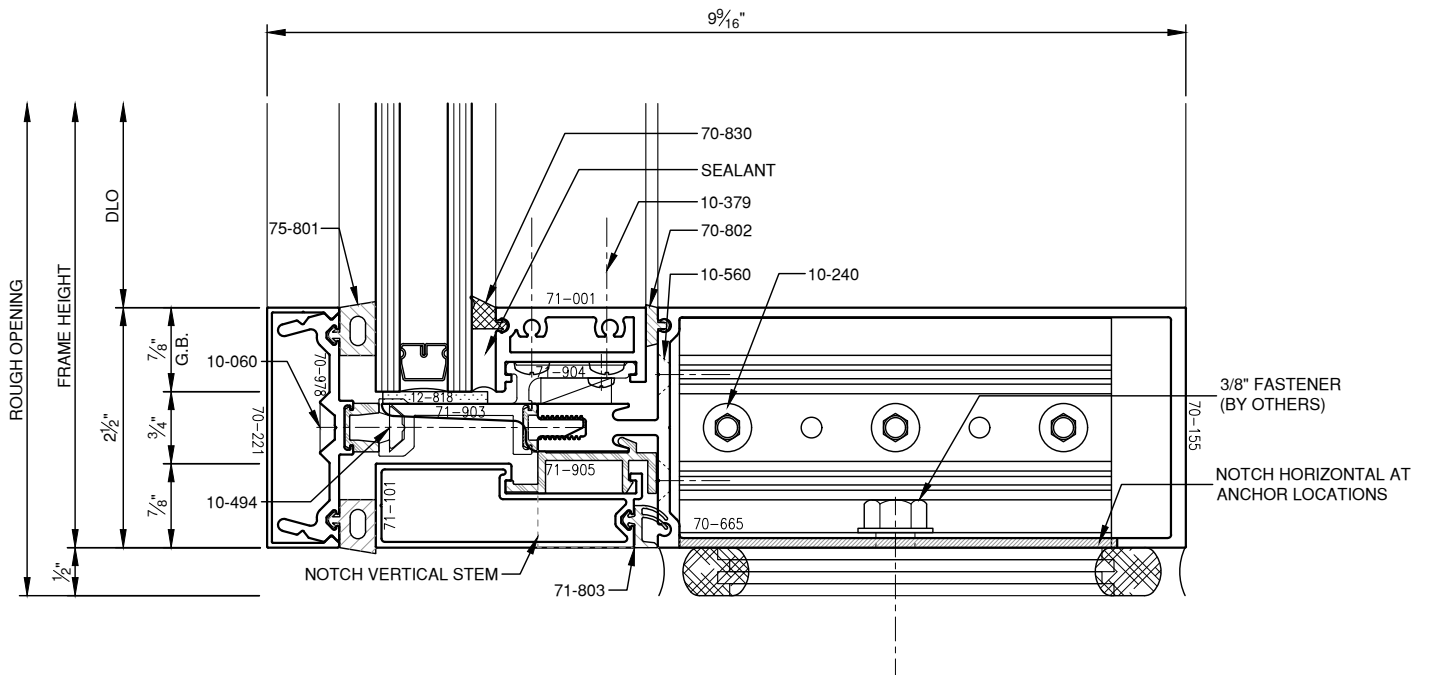
SCALE: HALF



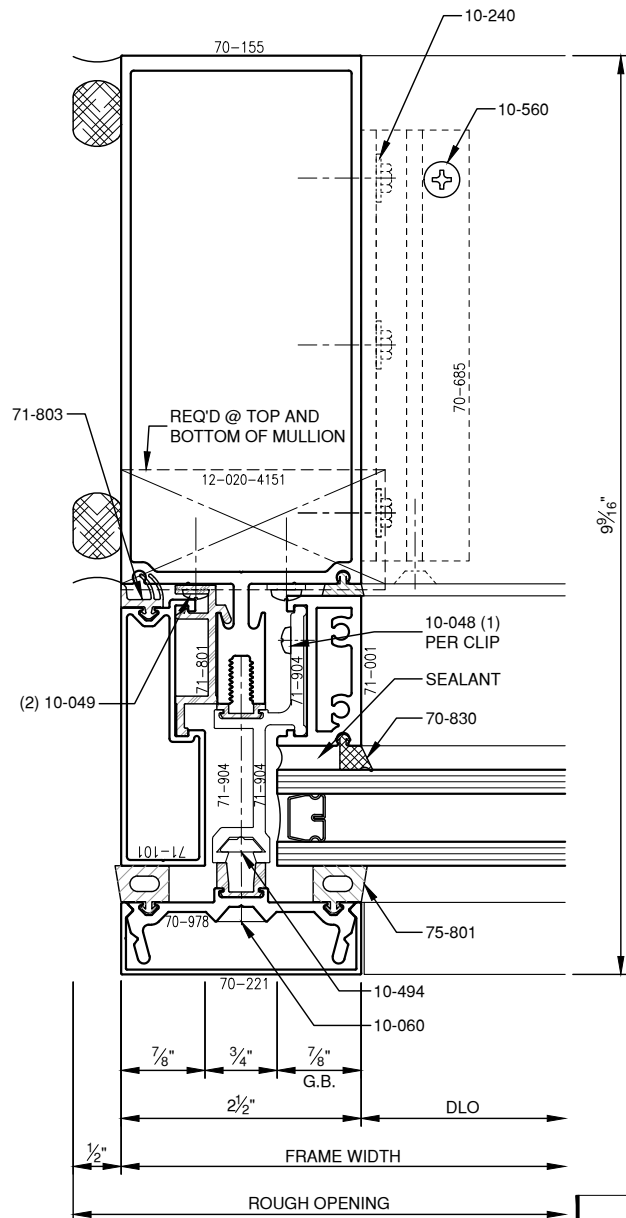
SCALE: HALF



SCALE: HALF

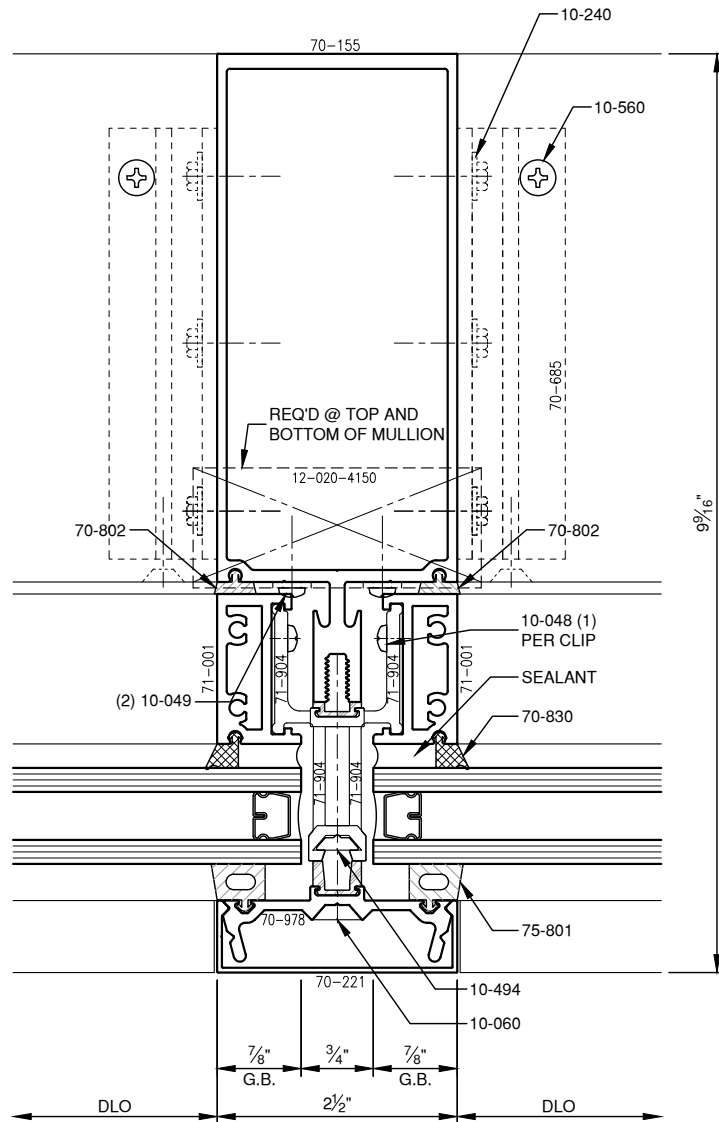


SCALE: HALF



ERECTOR NOTE:
 10-560 SCREW TO BE LOCATED ON BOTTOM OF HORIZONTAL AT ALL HORIZONTALS BELOW 6'-0" AND LOCATED ON TOP OF HORIZONTAL AT ALL HORIZONTALS ABOVE 6'-0"

SCALE: HALF



ERECTOR NOTE:
 10-560 SCREW TO BE LOCATED ON BOTTOM OF HORIZONTAL AT ALL HORIZONTALS BELOW 6'-0" AND LOCATED ON TOP OF HORIZONTAL AT ALL HORIZONTALS ABOVE 6'-0"

SCALE: HALF