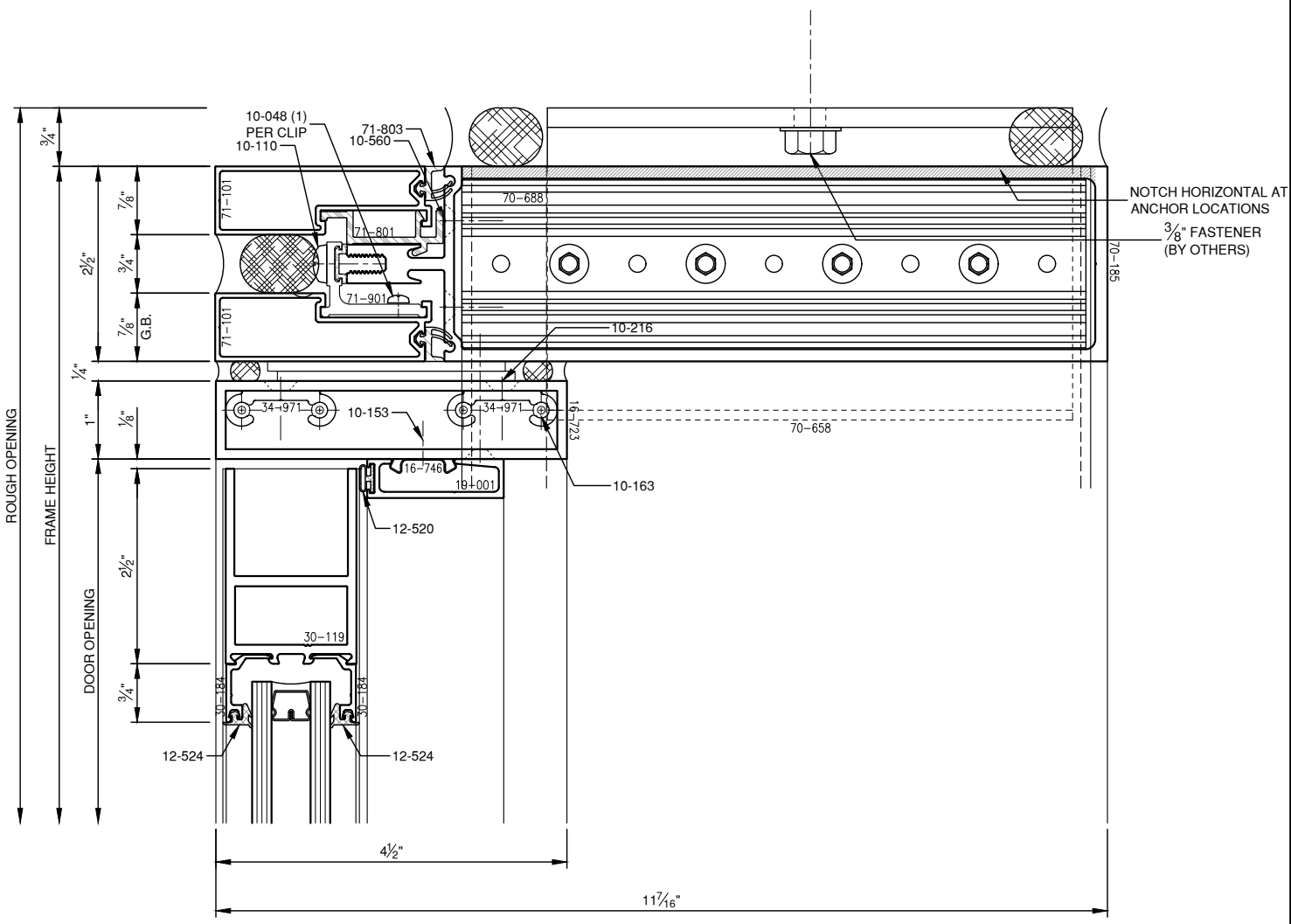
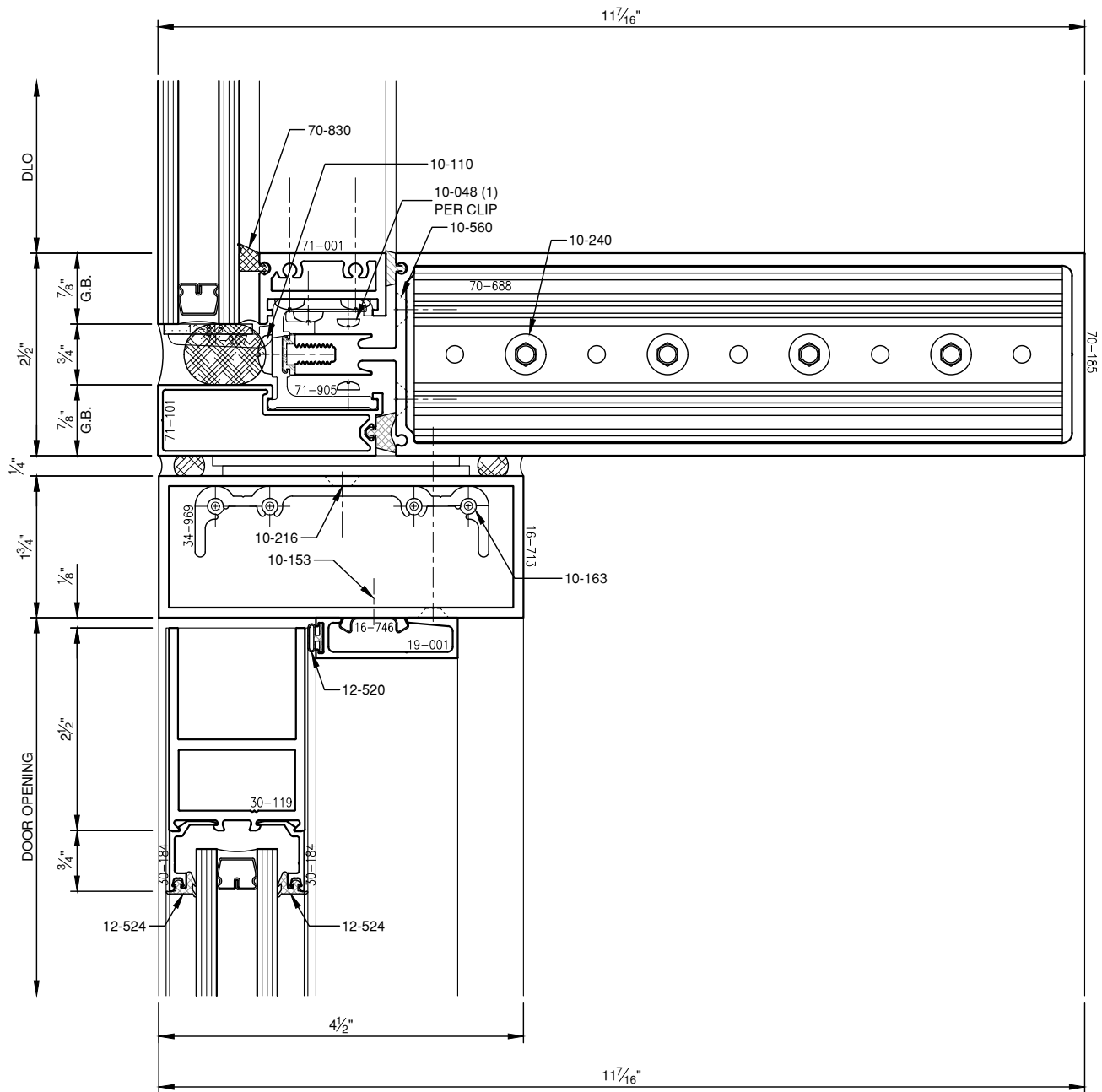


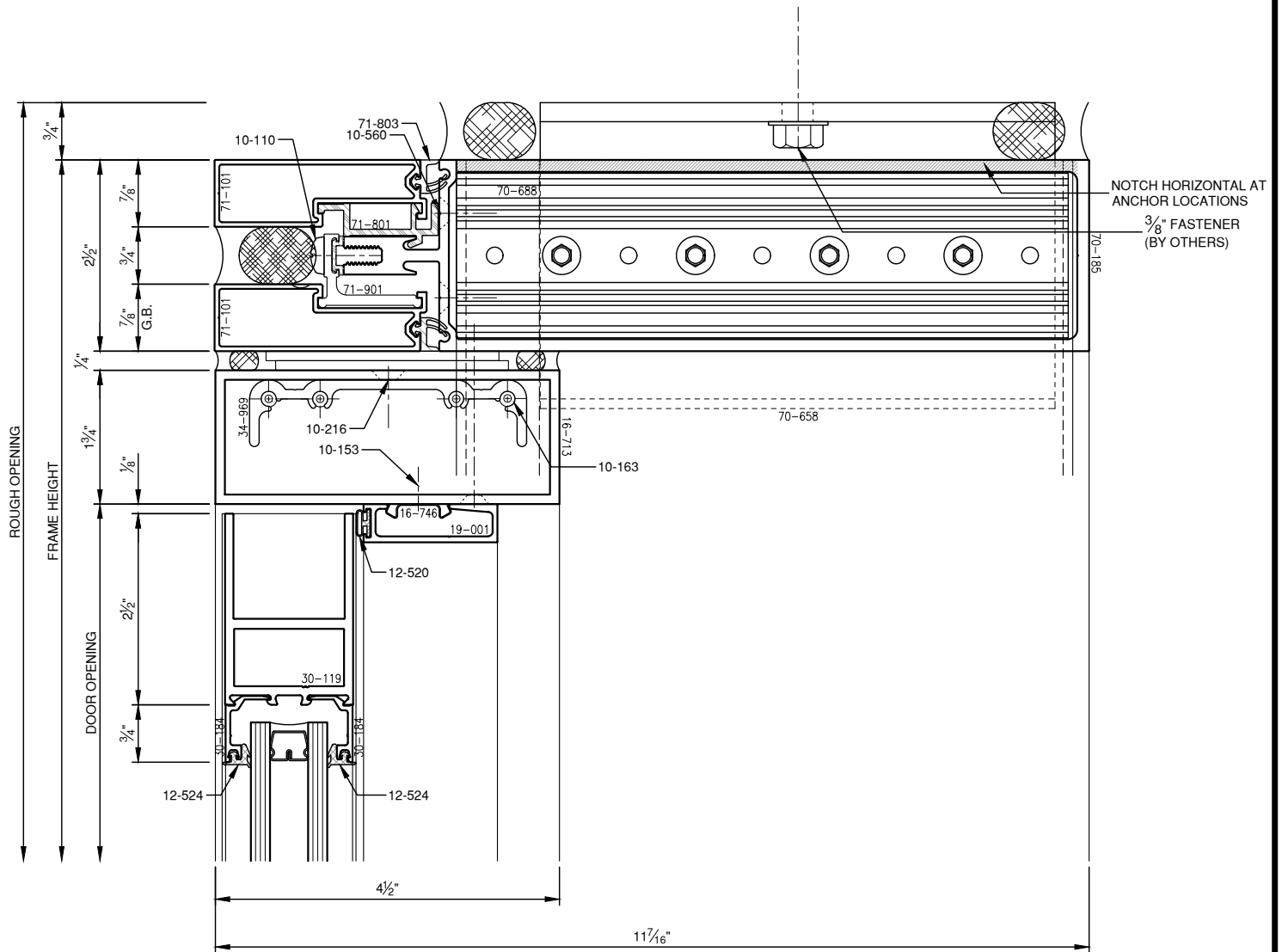
SCALE: 1/2



SCALE: 1/2



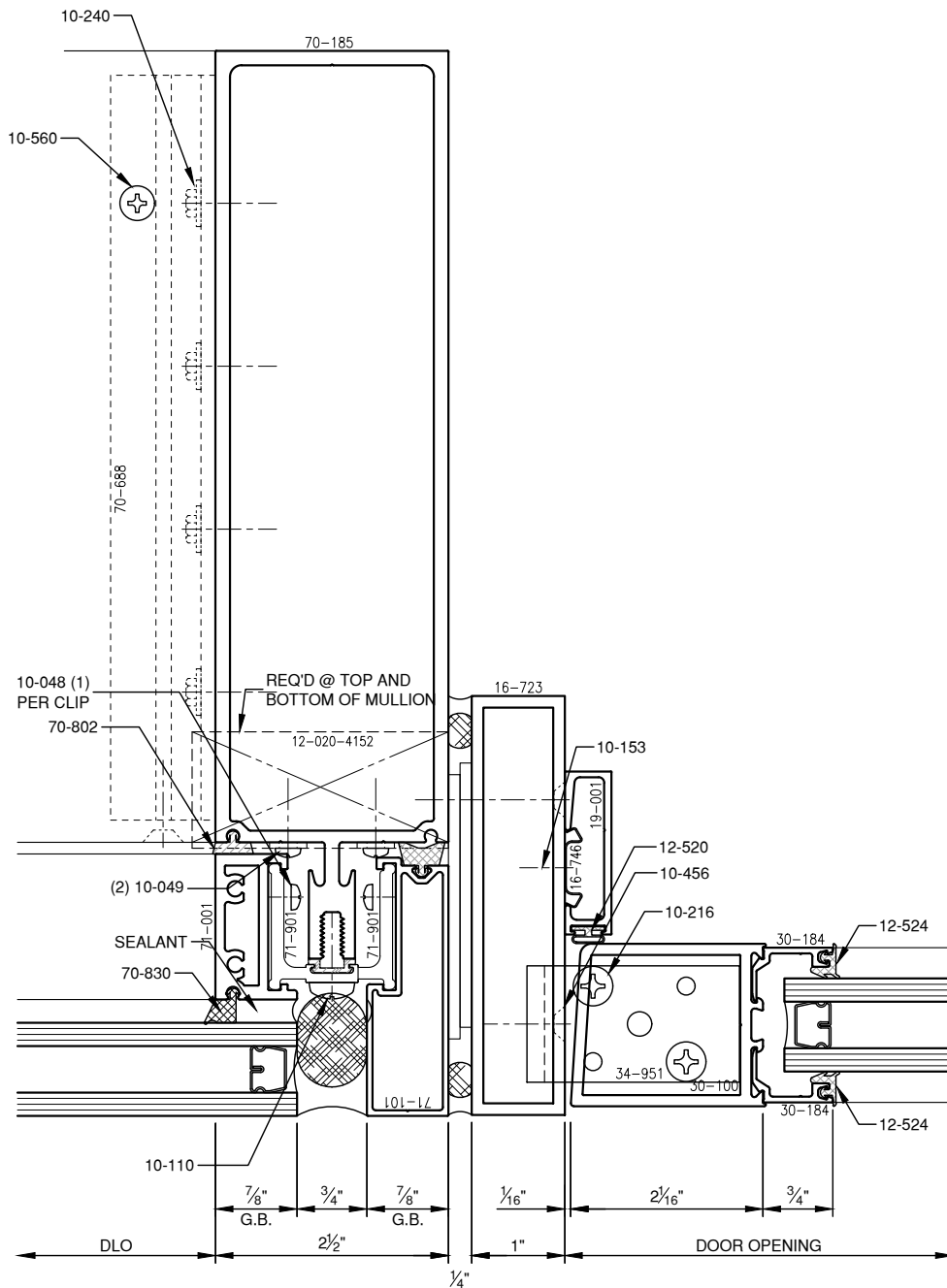
SCALE: 1/2



SCALE: 1/2

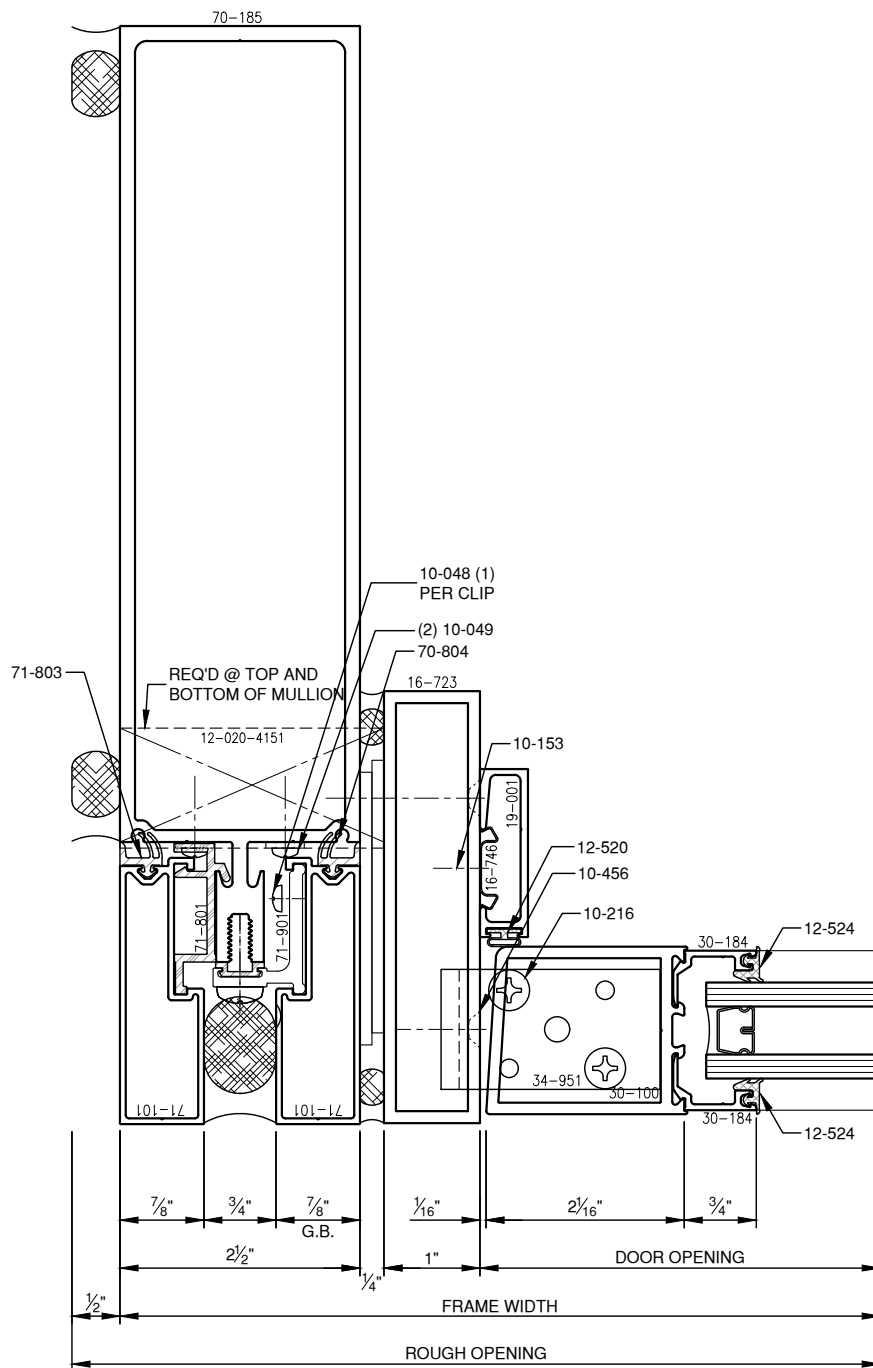
**PITTC<sup>®</sup>** ARCHITECTURAL METALS, INC.

1530 Landmeier Road Elk Grove Village, IL 60007 847-593-3131 fax: 847-593-9946



ERECTOR NOTE:  
 10-560 SCREW TO BE LOCATED ON BOTTOM  
 OF HORIZONTAL AT ALL HORIZONTALS BELOW  
 6'-0" AND LOCATED ON TOP OF HORIZONTAL  
 AT ALL HORIZONTALS ABOVE 6'-0"

SCALE: 1/2



SCALE: 1/2

**PITTC<sup>®</sup>** ARCHITECTURAL METALS, INC.

1530 Landmeier Road Elk Grove Village, IL 60007 847-593-3131 fax: 847-593-9946