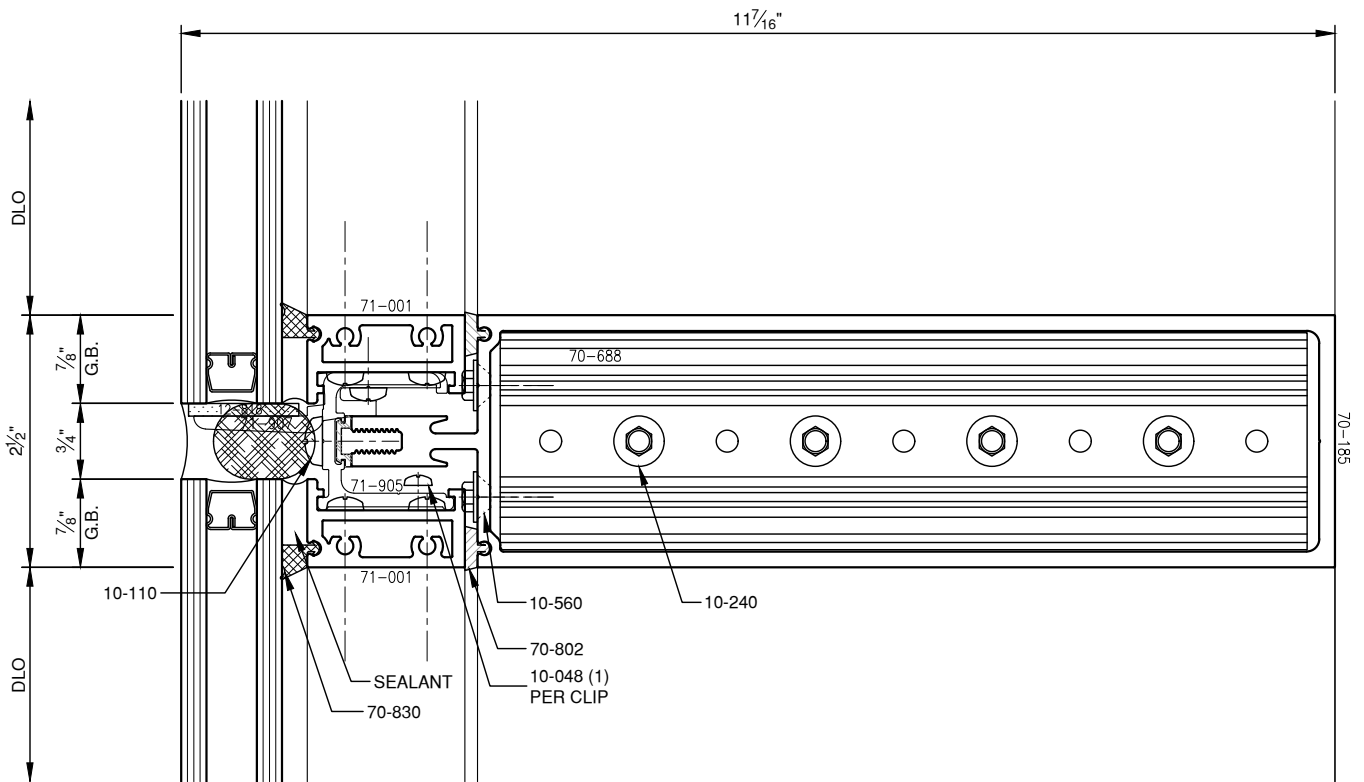
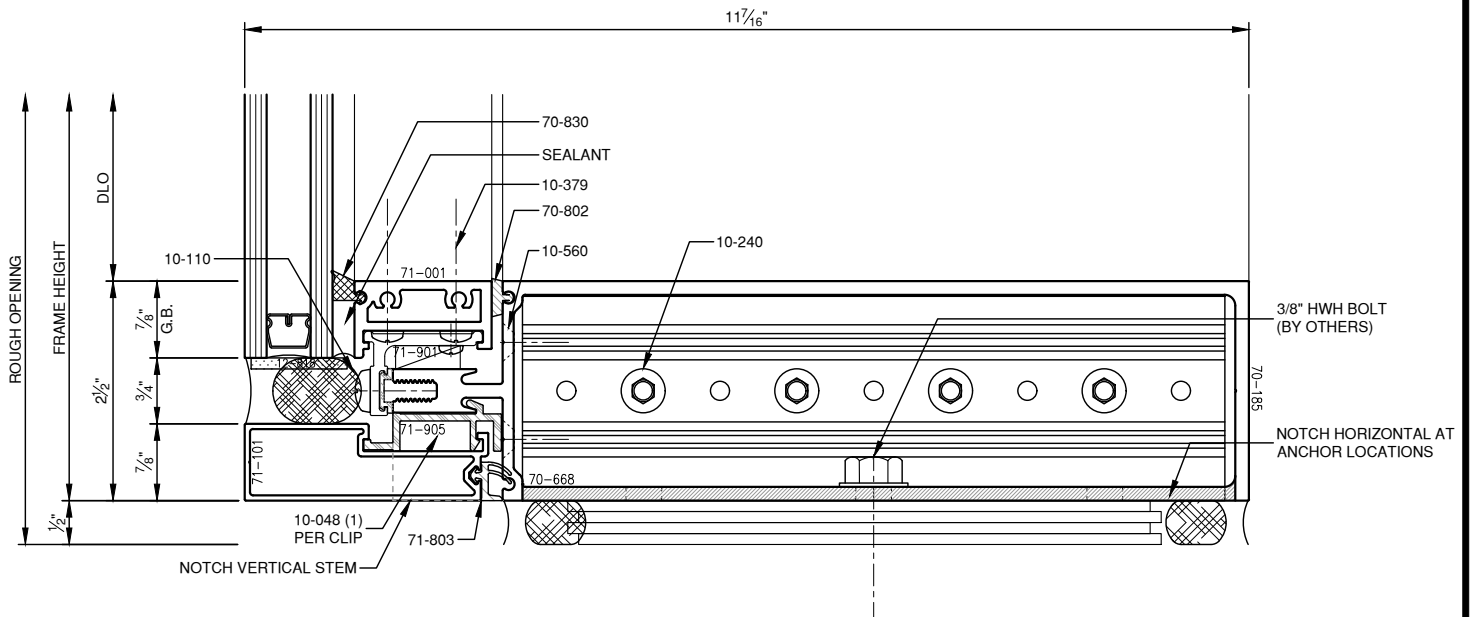


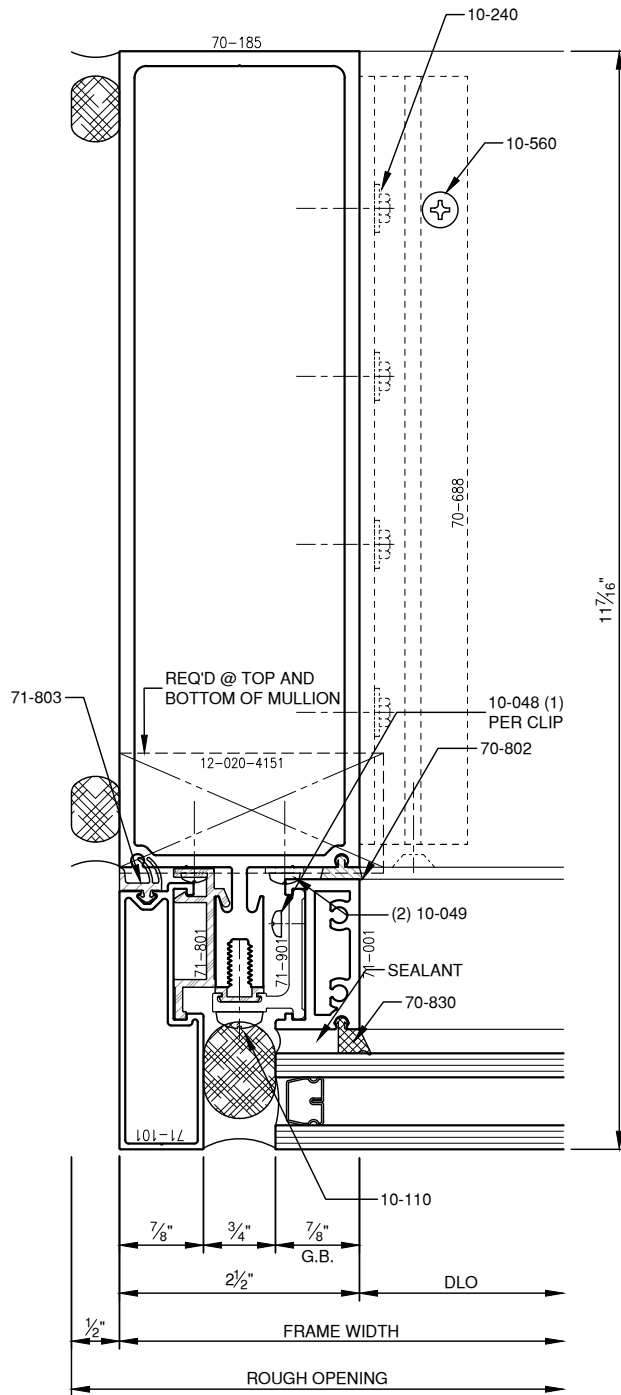
SCALE: NONE



SCALE: NONE

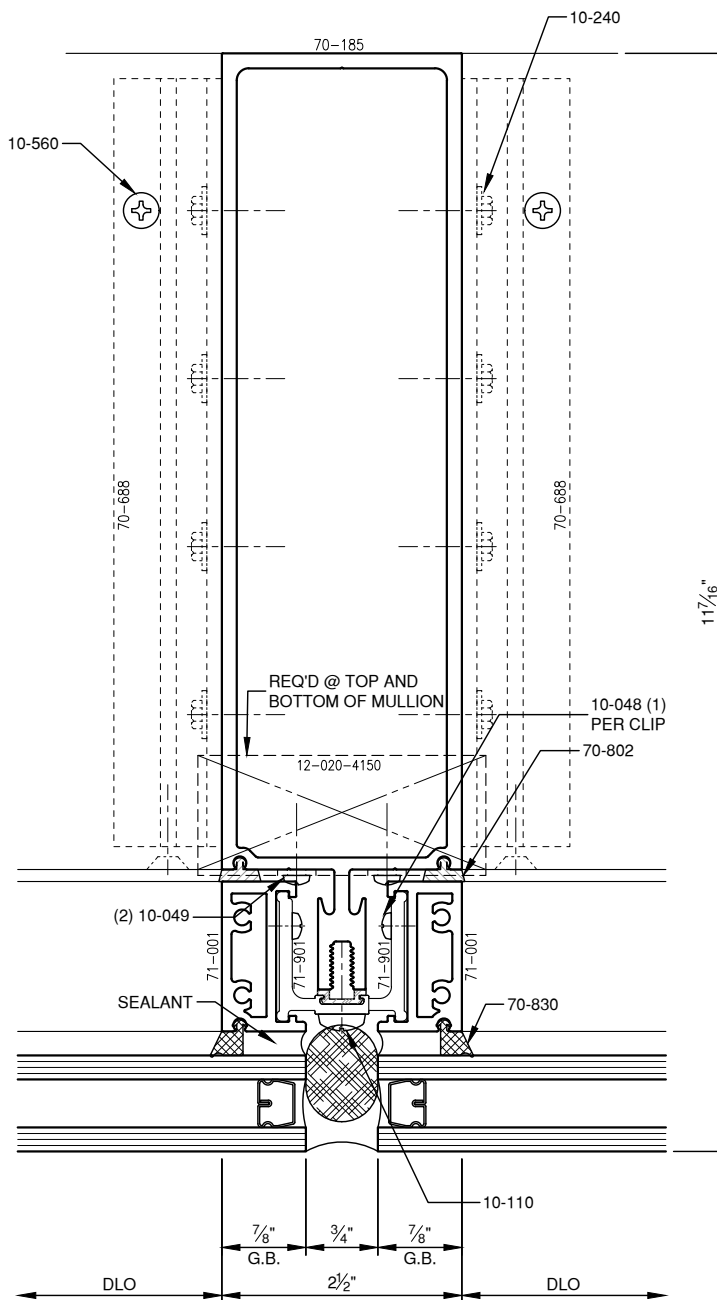


SCALE: NONE



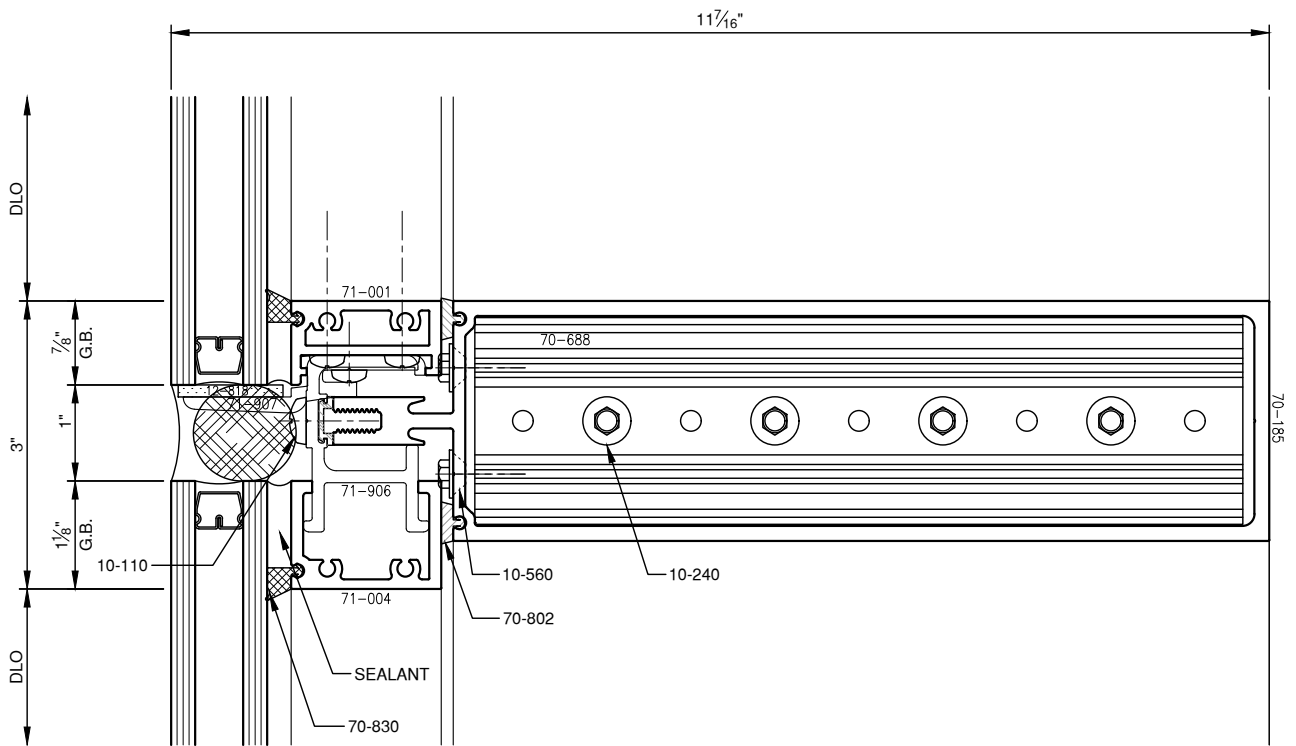
ERECTOR NOTE:
 10-560 SCREW TO BE LOCATED ON BOTTOM OF HORIZONTAL AT ALL HORIZONTALS BELOW 6'-0" AND LOCATED ON TOP OF HORIZONTAL AT ALL HORIZONTALS ABOVE 6'-0"

SCALE: HALF



ERECTOR NOTE:
 10-560 SCREW TO BE LOCATED ON BOTTOM OF HORIZONTAL AT ALL HORIZONTALS BELOW 6'-0" AND LOCATED ON TOP OF HORIZONTAL AT ALL HORIZONTALS ABOVE 6'-0"

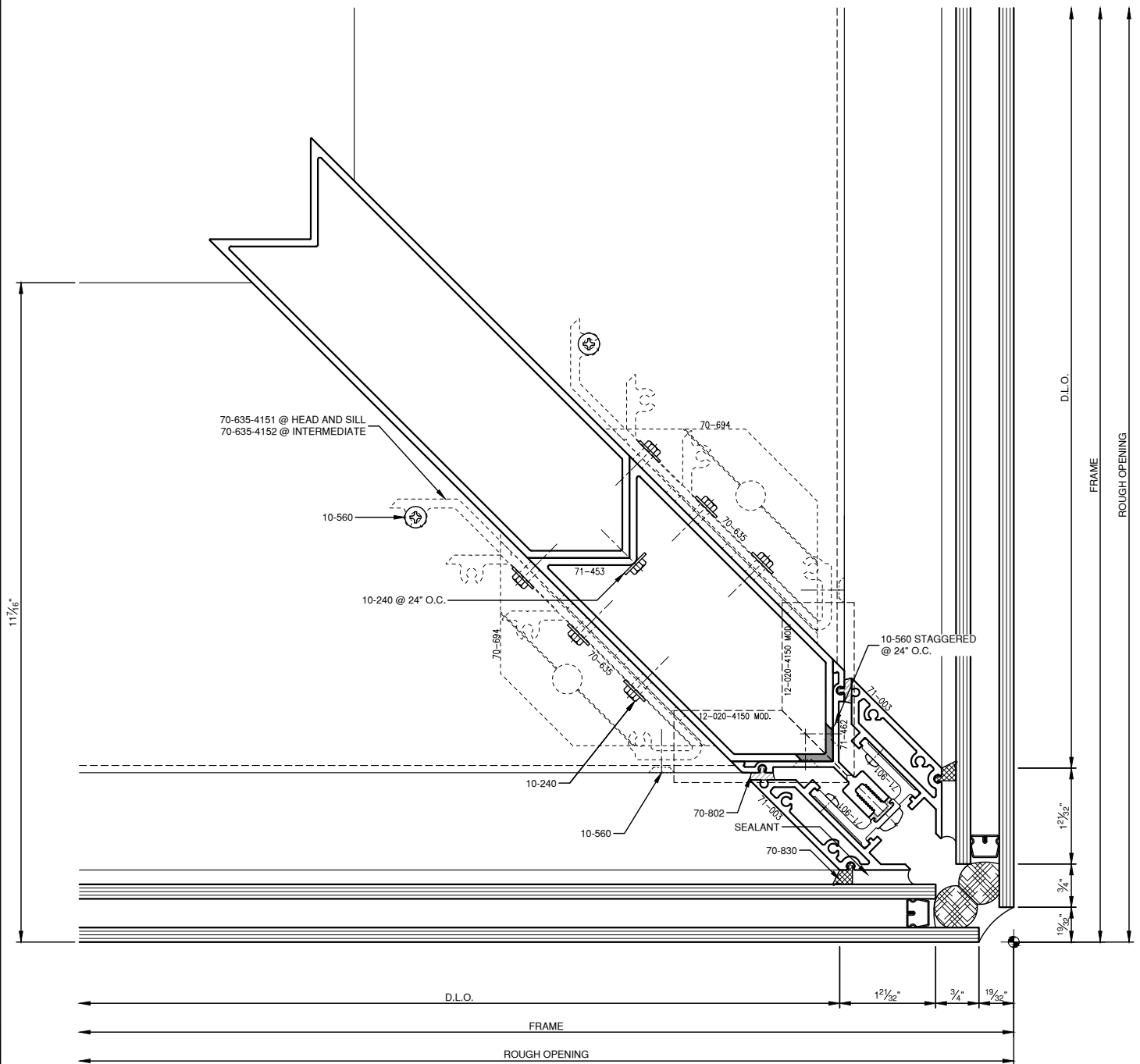
SCALE: HALF



SCALE: HALF

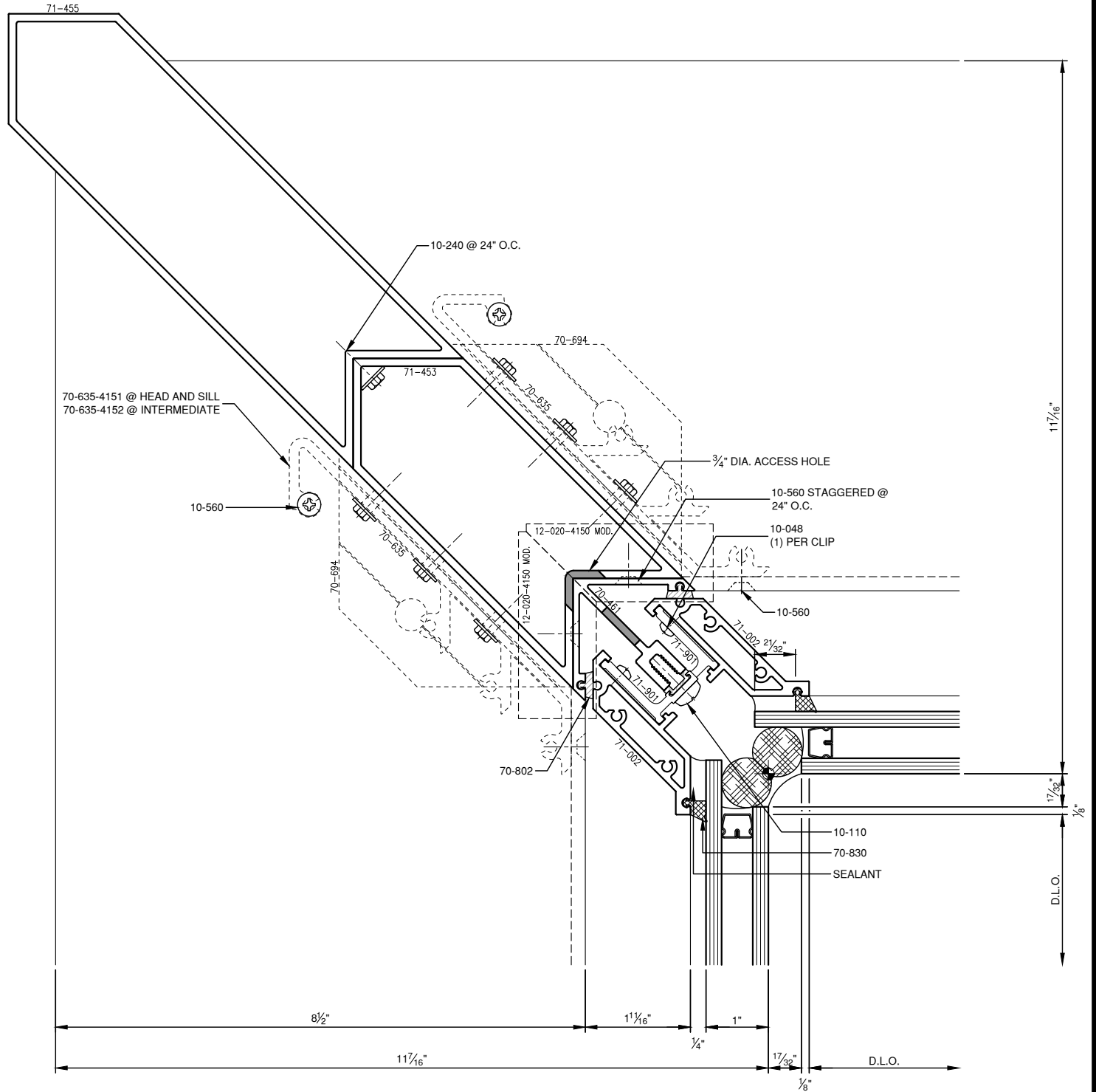
PITCO® ARCHITECTURAL METALS, INC.

1530 Landmeier Road Elk Grove Village, IL 60007 847-593-3131 fax: 847-593-9946



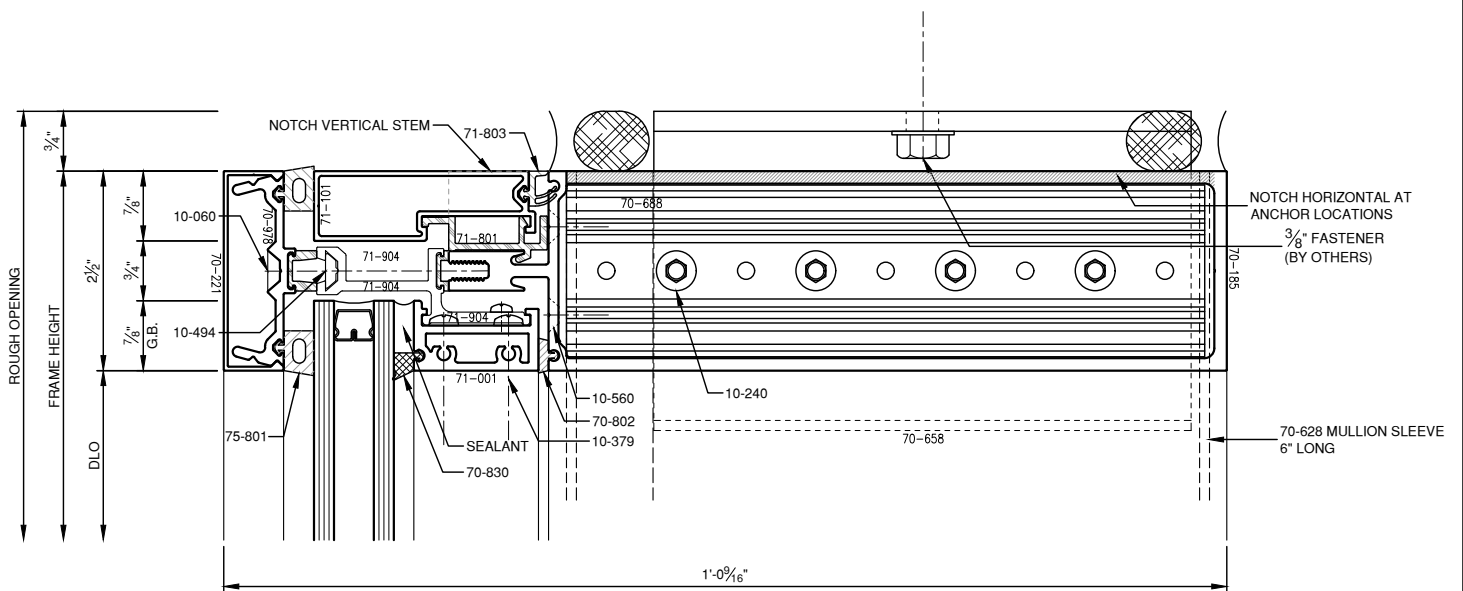
ERECTOR NOTE:
 10-560 SCREW TO BE LOCATED ON BOTTOM
 OF HORIZONTAL AT ALL HORIZONTALS BELOW
 6'-0" AND LOCATED ON TOP OF HORIZONTAL
 AT ALL HORIZONTALS ABOVE 6'-0"

SCALE: NONE

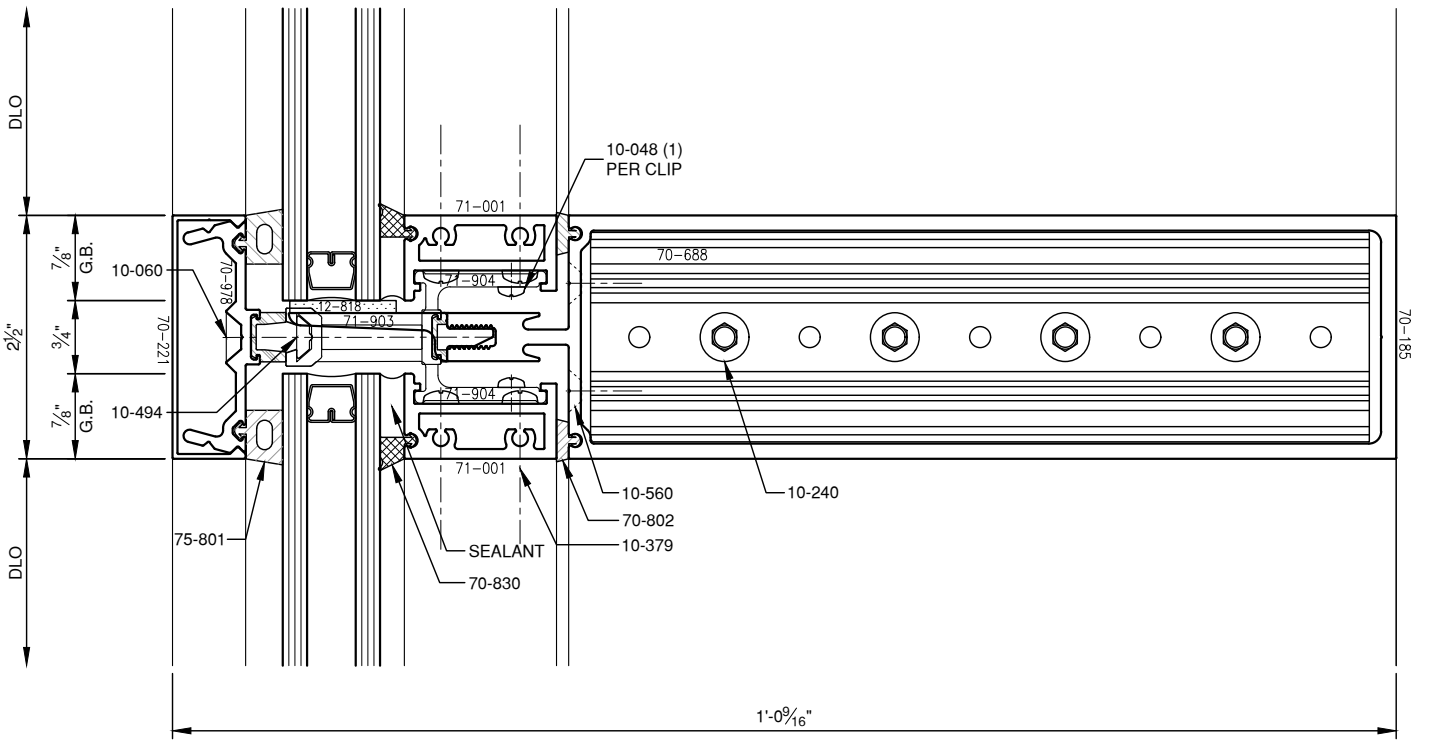


ERECTOR NOTE:
 10-560 SCREW TO BE LOCATED ON BOTTOM OF HORIZONTAL AT ALL HORIZONTALS BELOW 6'-0" AND LOCATED ON TOP OF HORIZONTAL AT ALL HORIZONTALS ABOVE 6'-0"

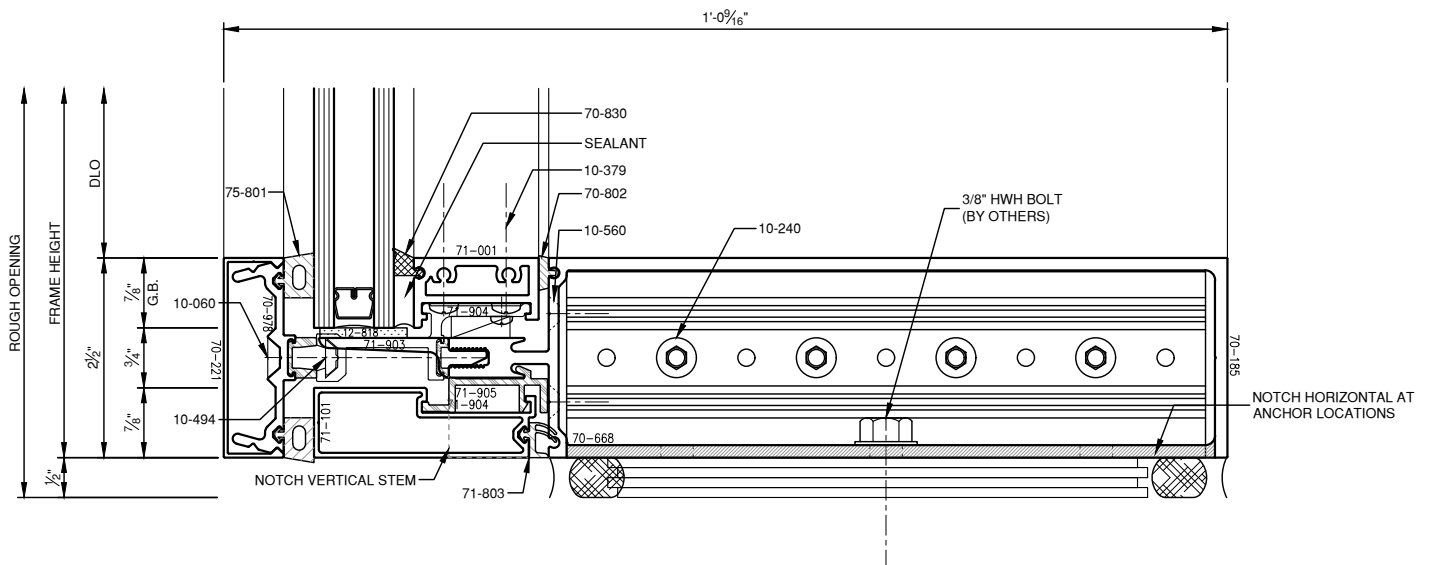
SCALE: HALF



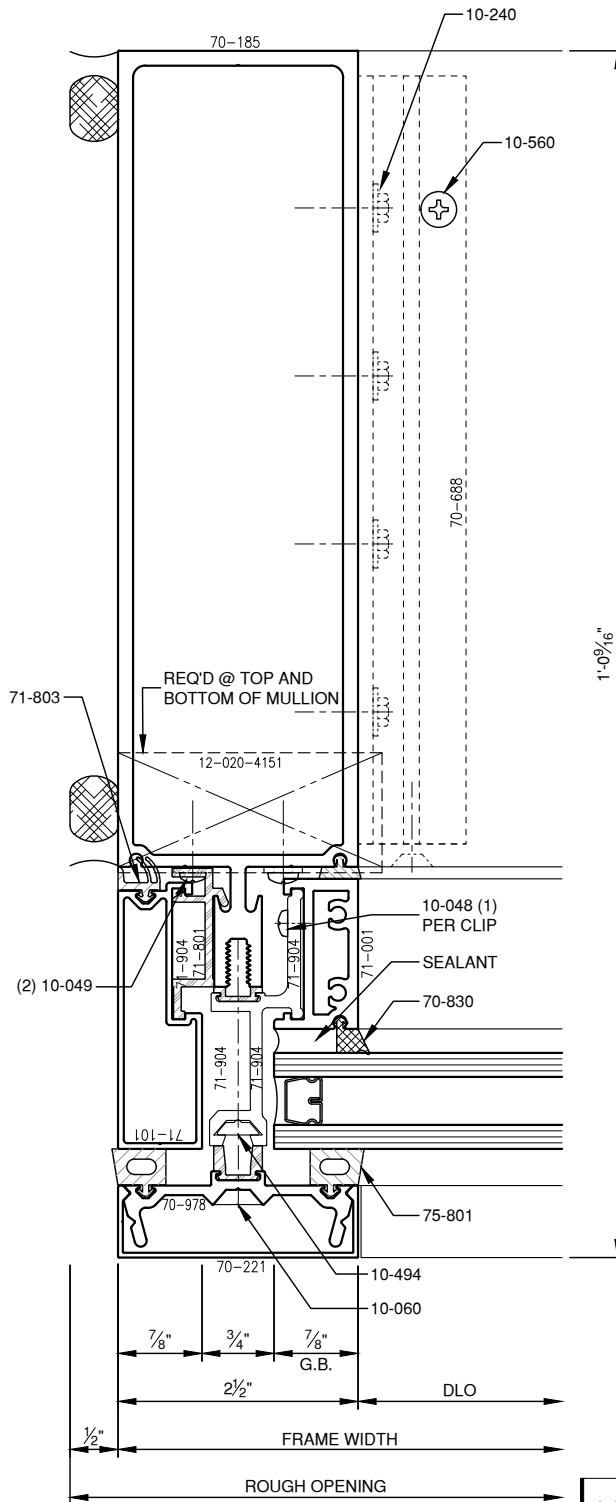
SCALE: NONE



SCALE: NONE

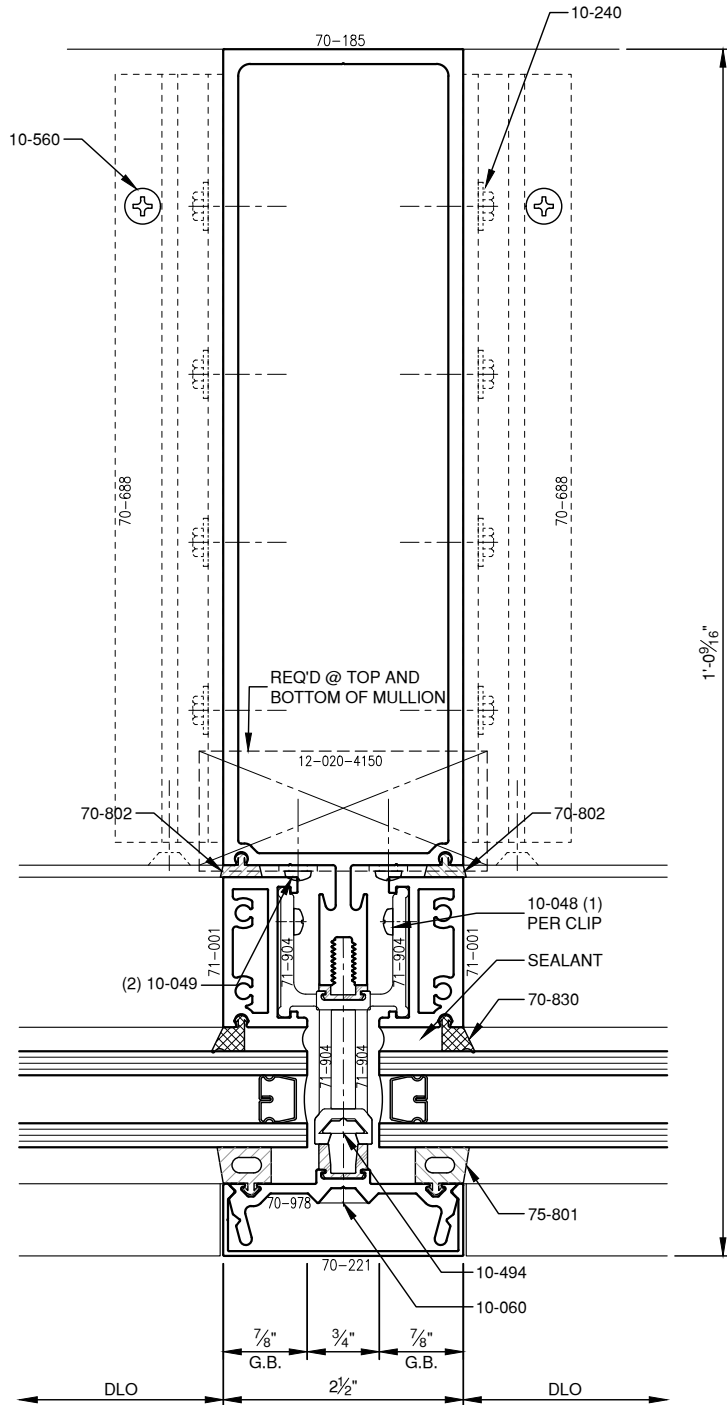


SCALE: NONE



ERECTOR NOTE:
 10-560 SCREW TO BE LOCATED ON BOTTOM OF HORIZONTAL AT ALL HORIZONTALS BELOW 6'-0" AND LOCATED ON TOP OF HORIZONTAL AT ALL HORIZONTALS ABOVE 6'-0"

SCALE: NONE



ERECTOR NOTE:
 10-560 SCREW TO BE LOCATED ON BOTTOM OF HORIZONTAL AT ALL HORIZONTALS BELOW 6'-0" AND LOCATED ON TOP OF HORIZONTAL AT ALL HORIZONTALS ABOVE 6'-0"

SCALE: NONE