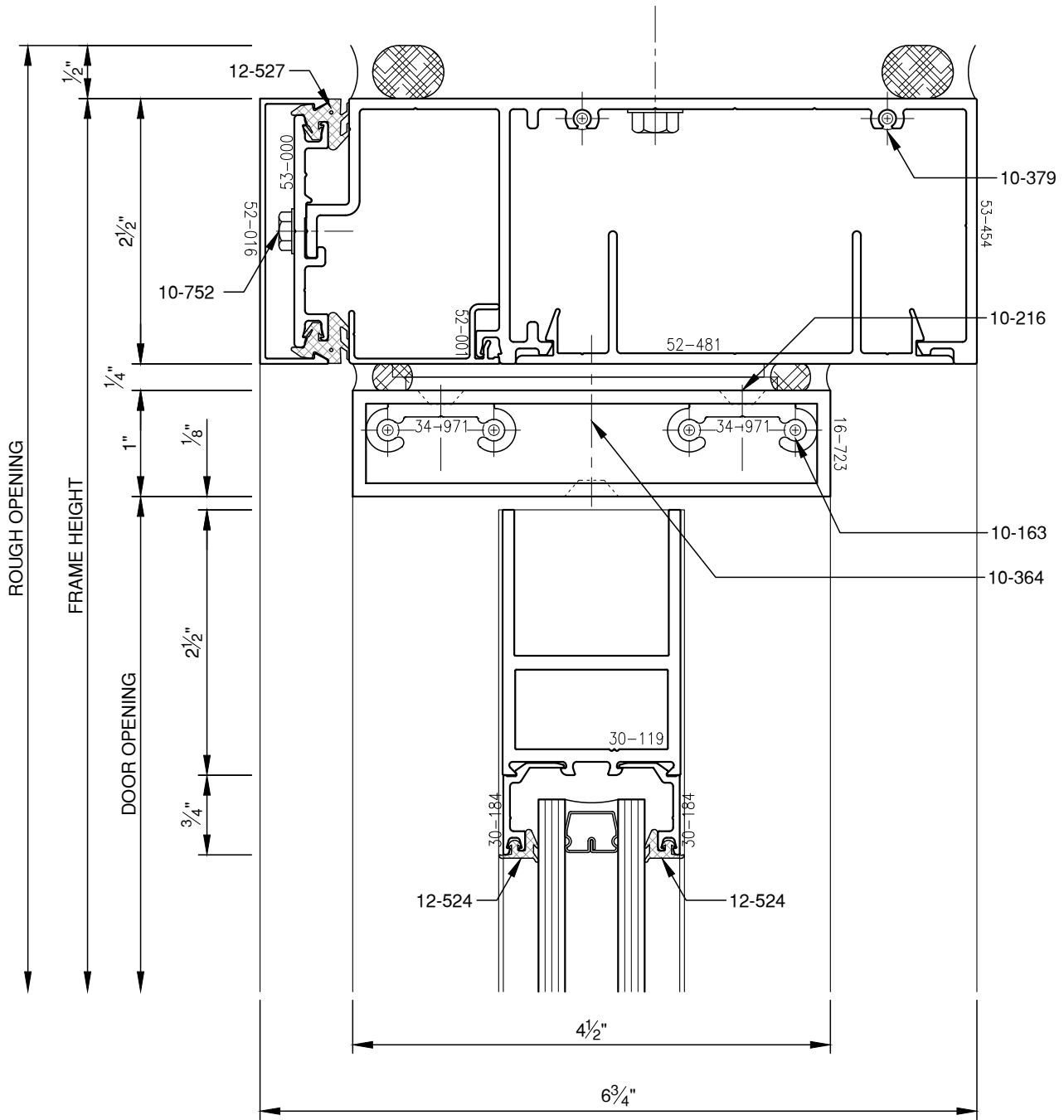


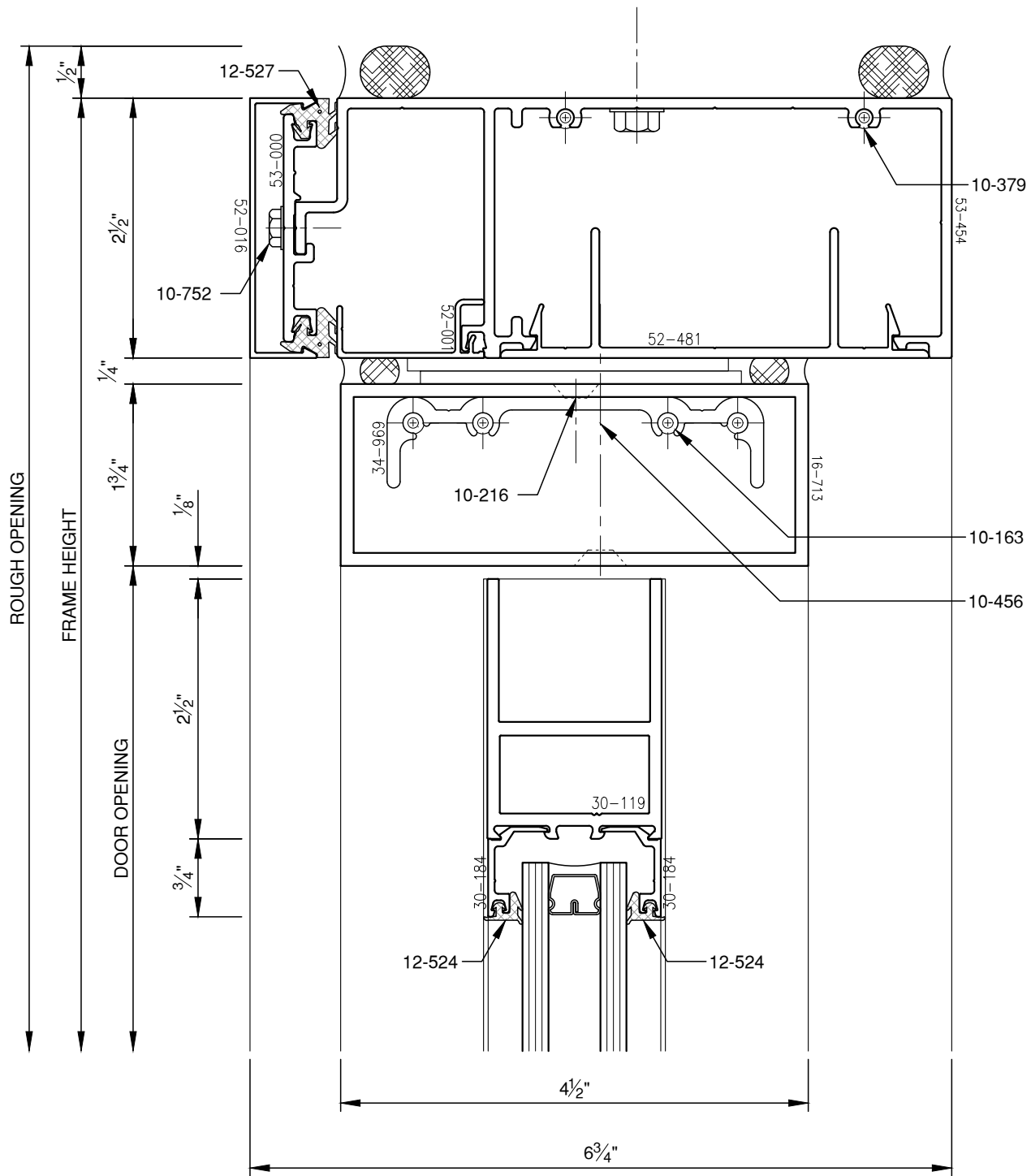
SCALE: 3/4



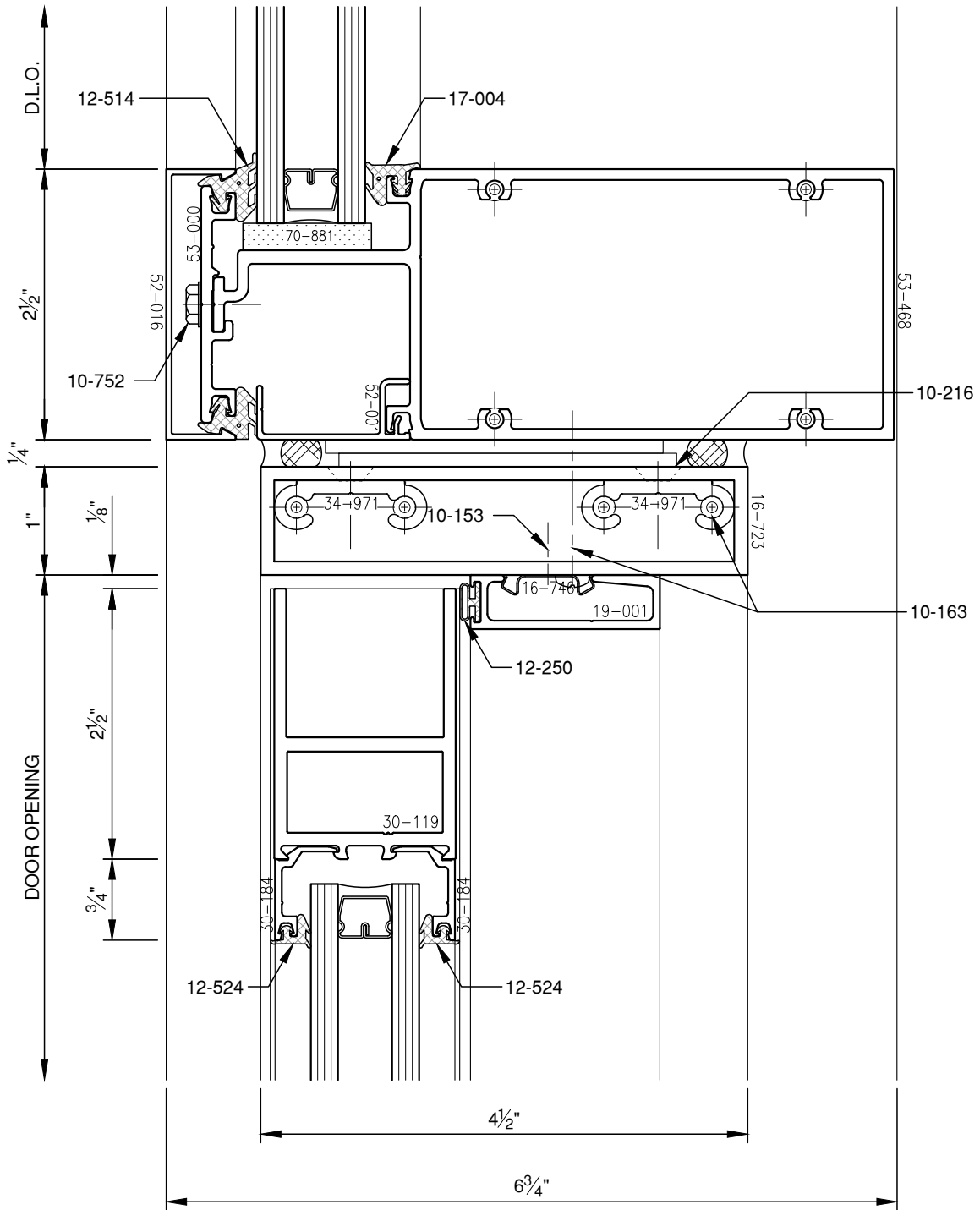
SCALE: 3/4

PITCO® ARCHITECTURAL METALS, INC.

1530 Landmeier Road Elk Grove Village, IL 60007 847-593-3131 fax: 847-593-9946



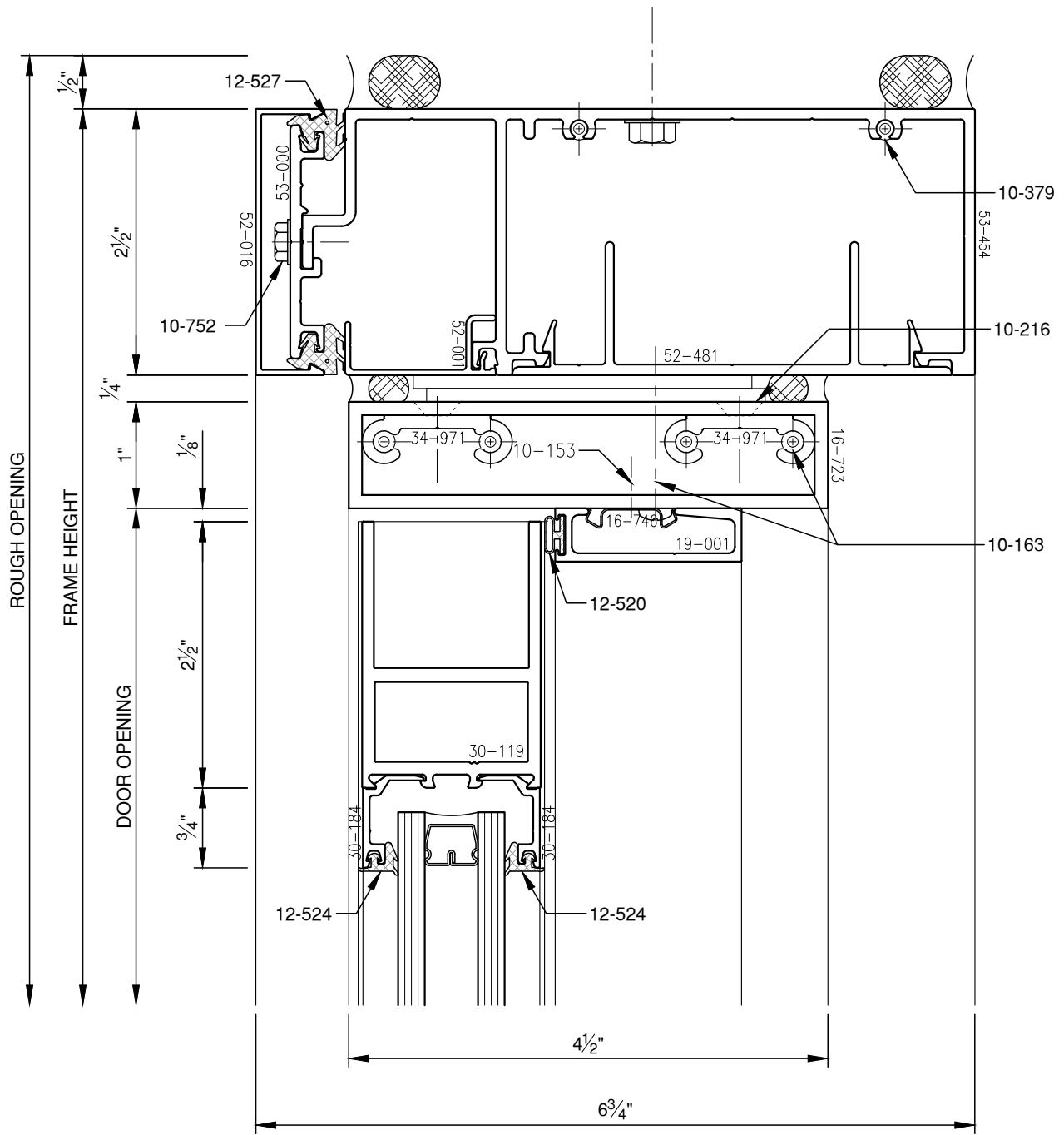
SCALE: 3/4



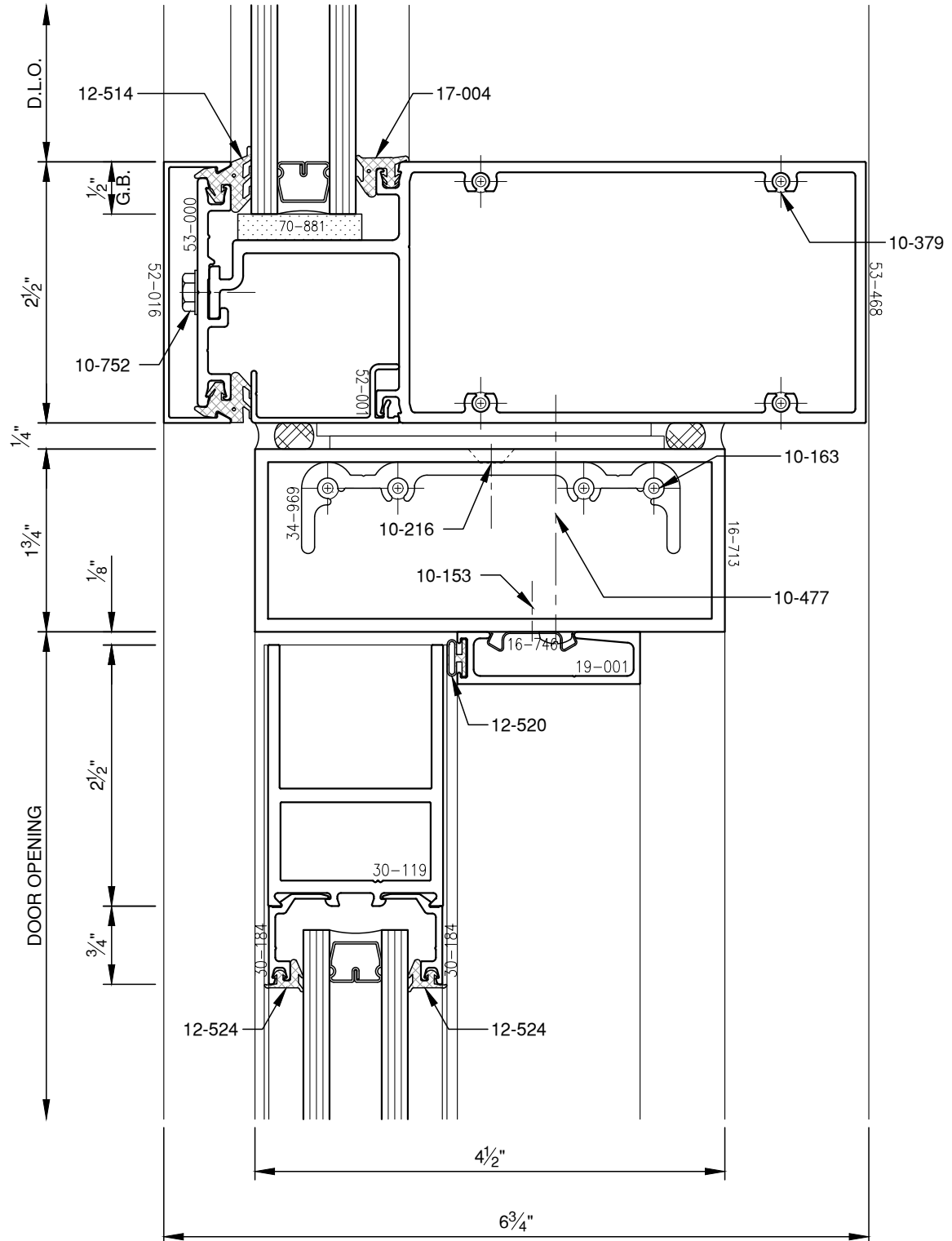
SCALE: 3/4

PITTC[®] ARCHITECTURAL METALS, INC.

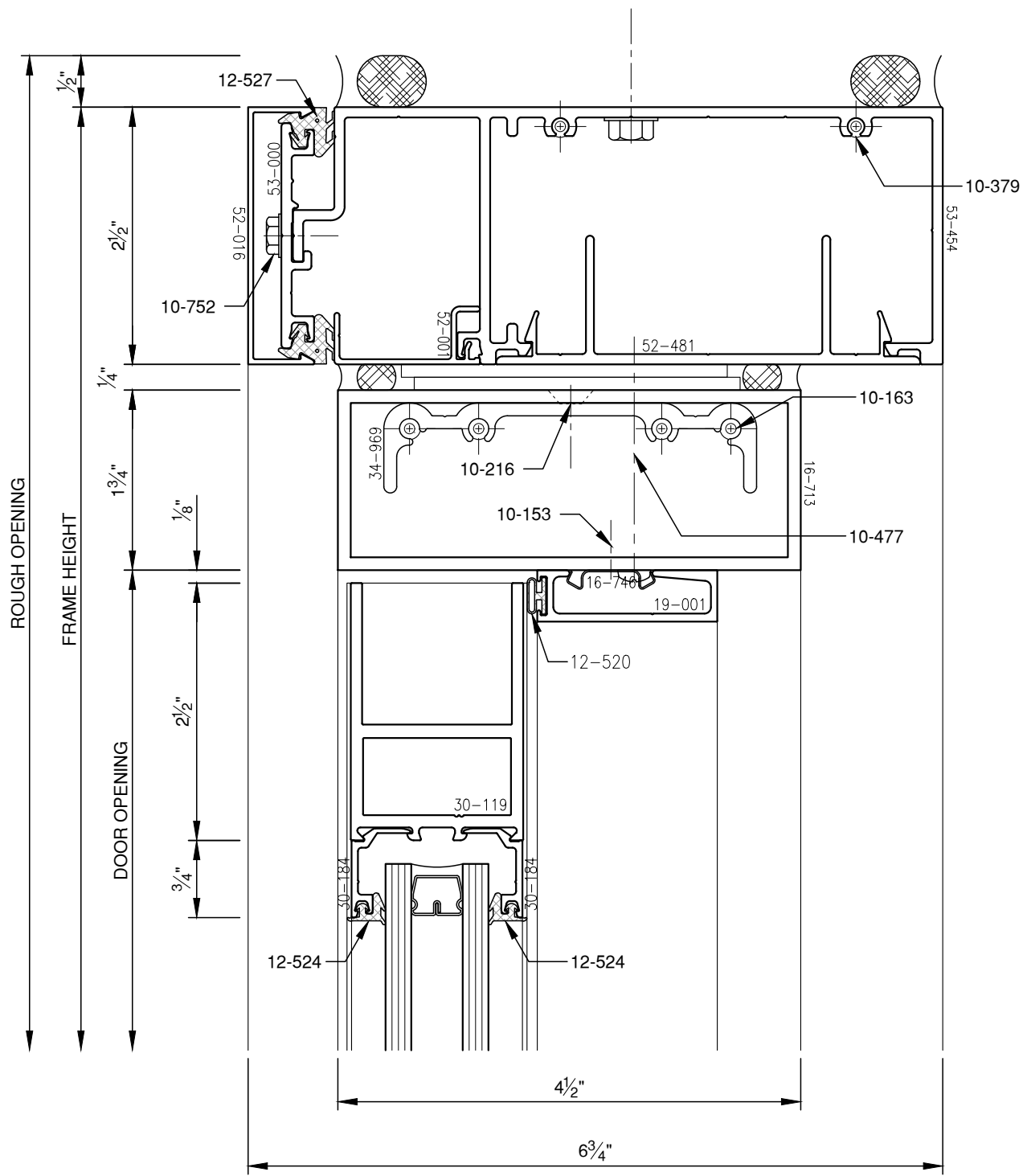
1530 Landmeier Road Elk Grove Village, IL 60007 847-593-3131 fax: 847-593-9946



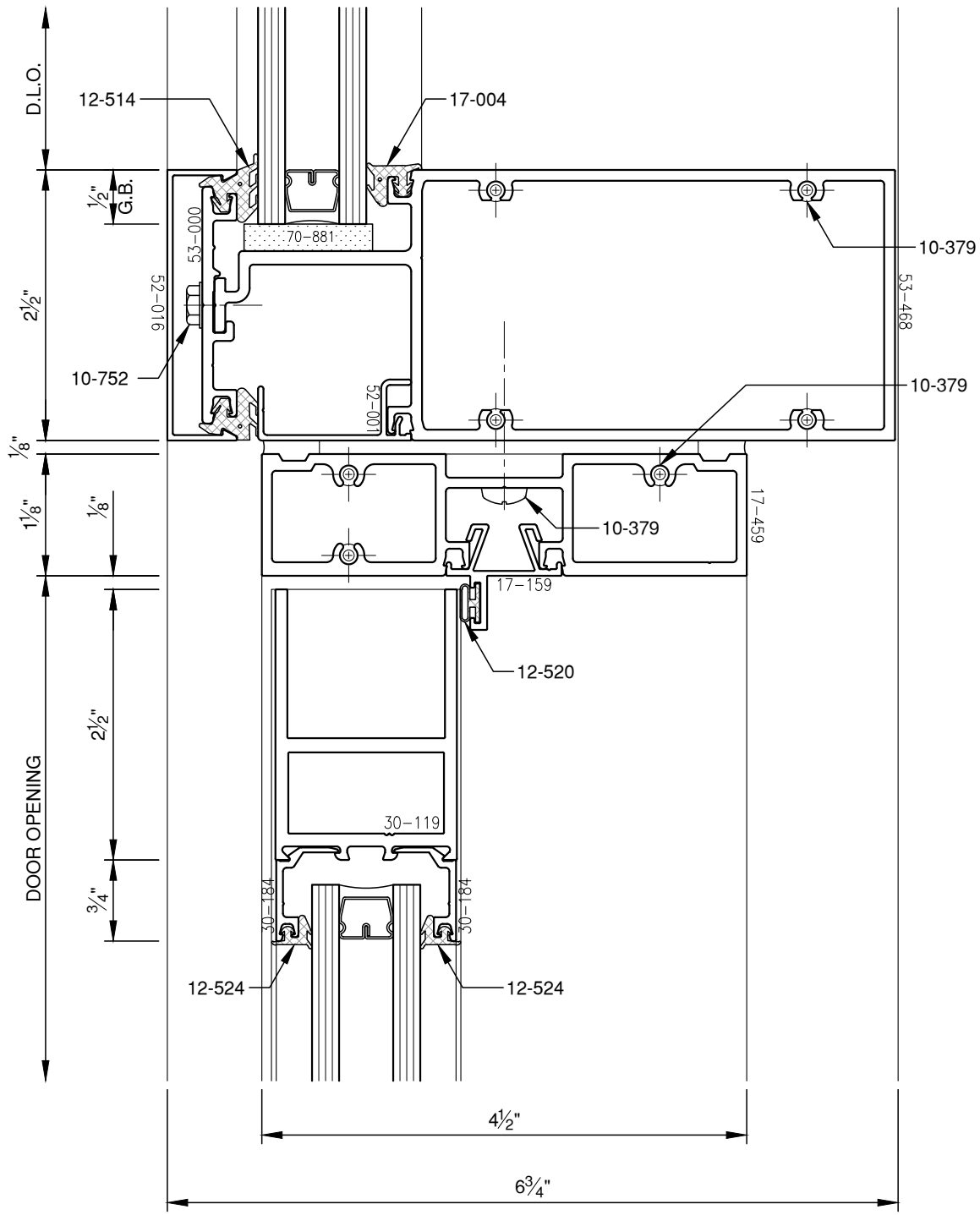
SCALE: 3/4



SCALE: 3/4



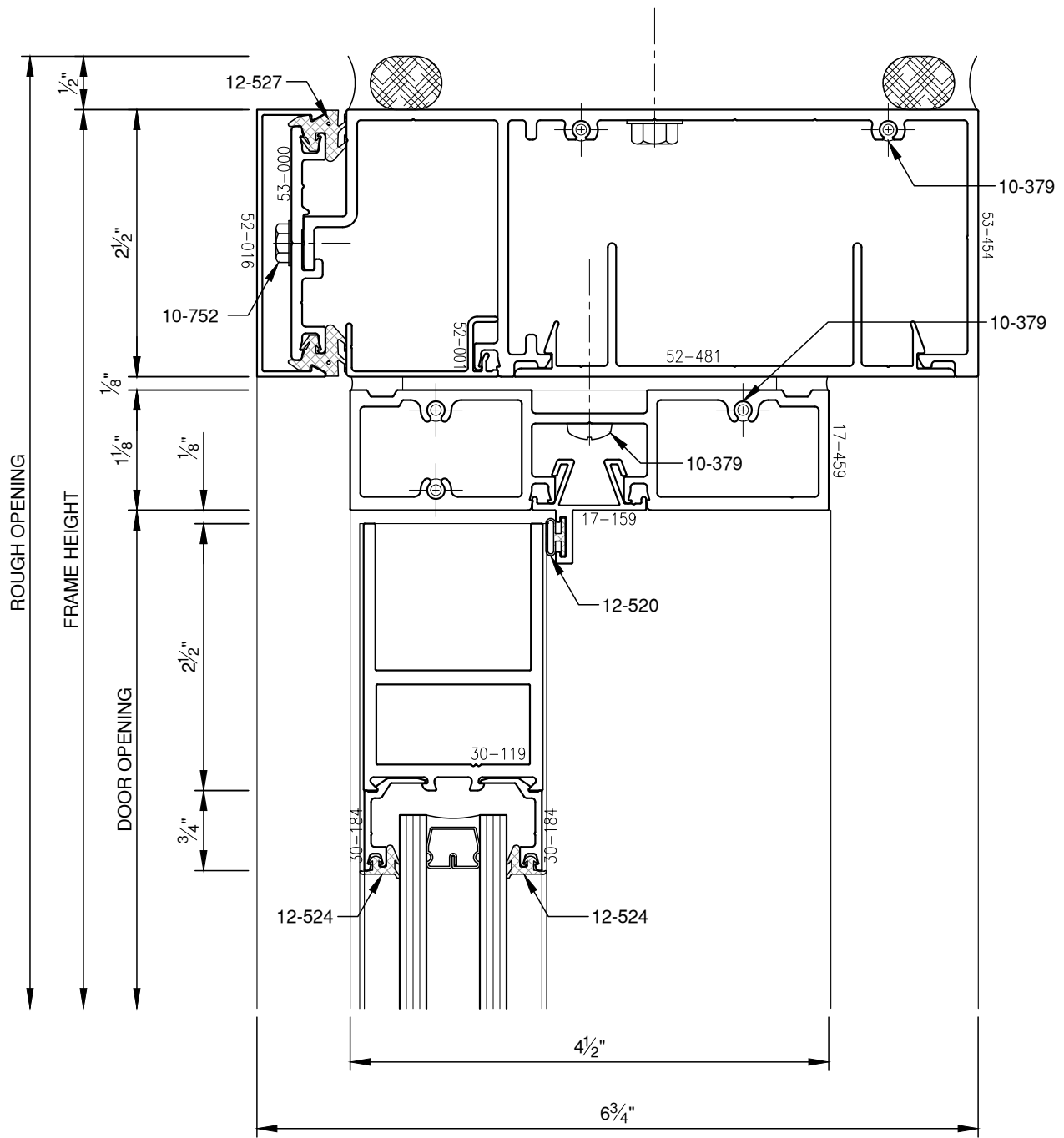
SCALE: 3/4



SCALE: 3/4

PITCO® ARCHITECTURAL METALS, INC.

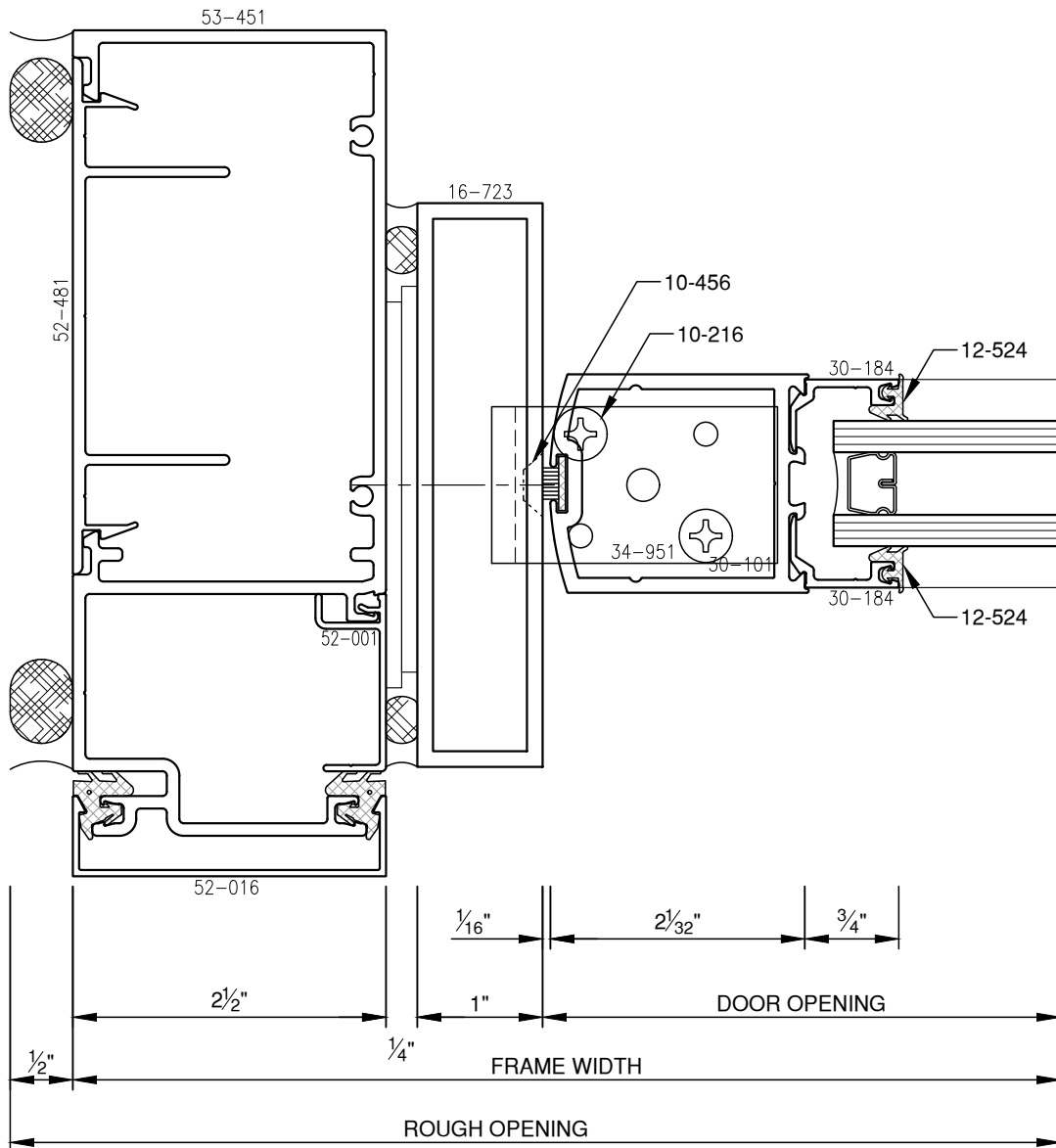
1530 Landmeier Road Elk Grove Village, IL 60007 847-593-3131 fax: 847-593-9946



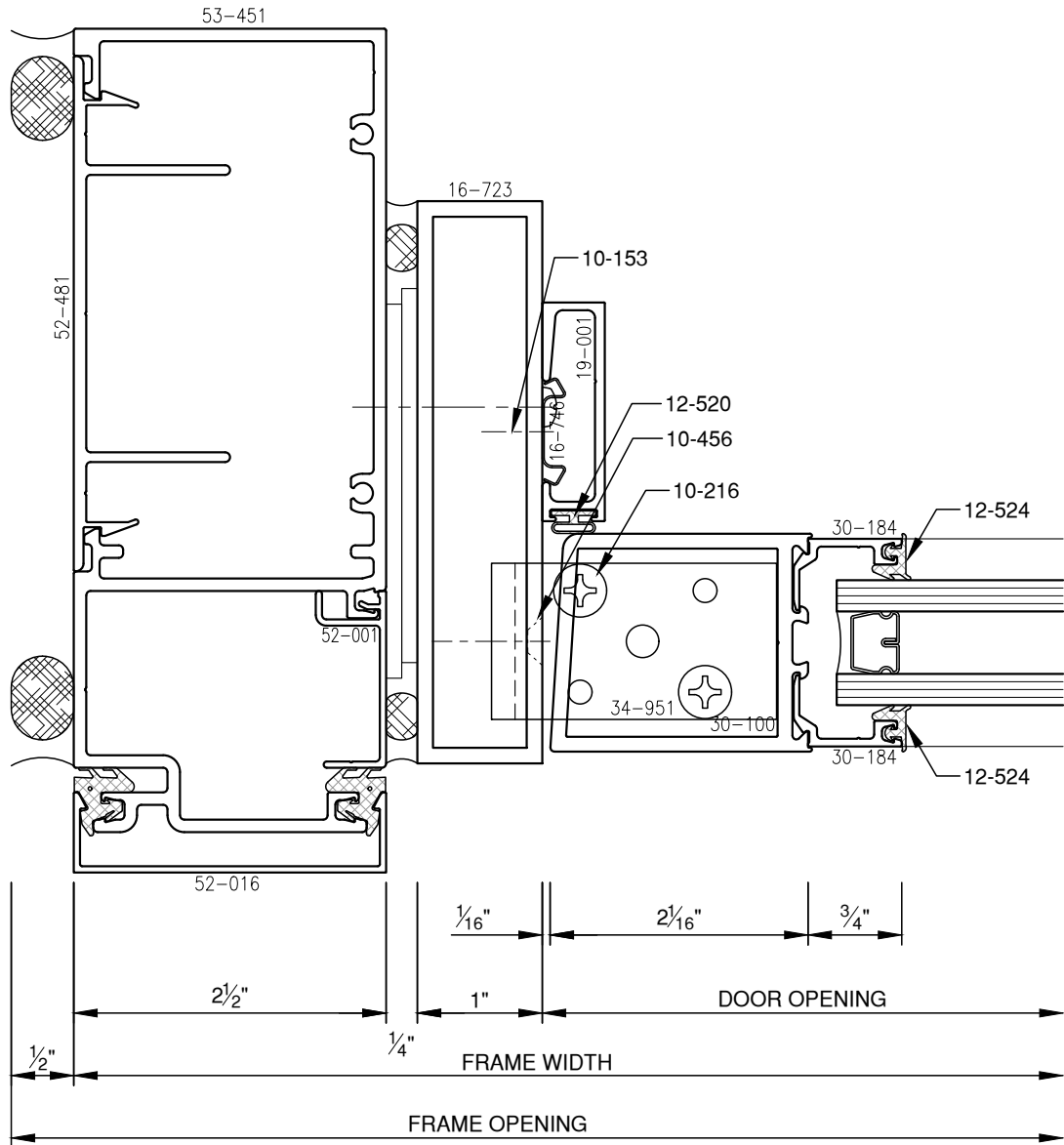
SCALE: 3/4

PITTC[®] ARCHITECTURAL METALS, INC.

1530 Landmeier Road Elk Grove Village, IL 60007 847-593-3131 fax: 847-593-9946



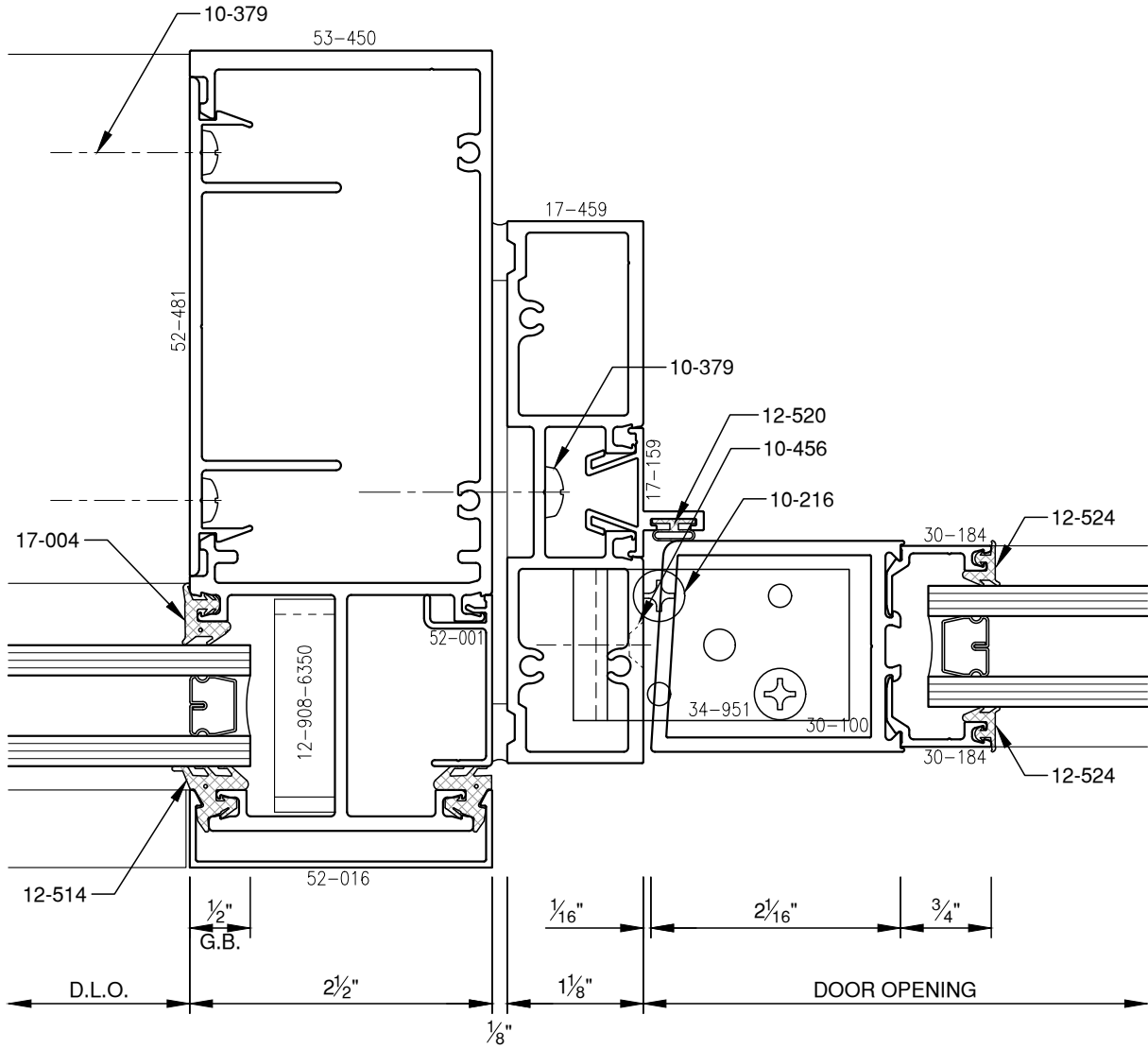
SCALE: 3/4



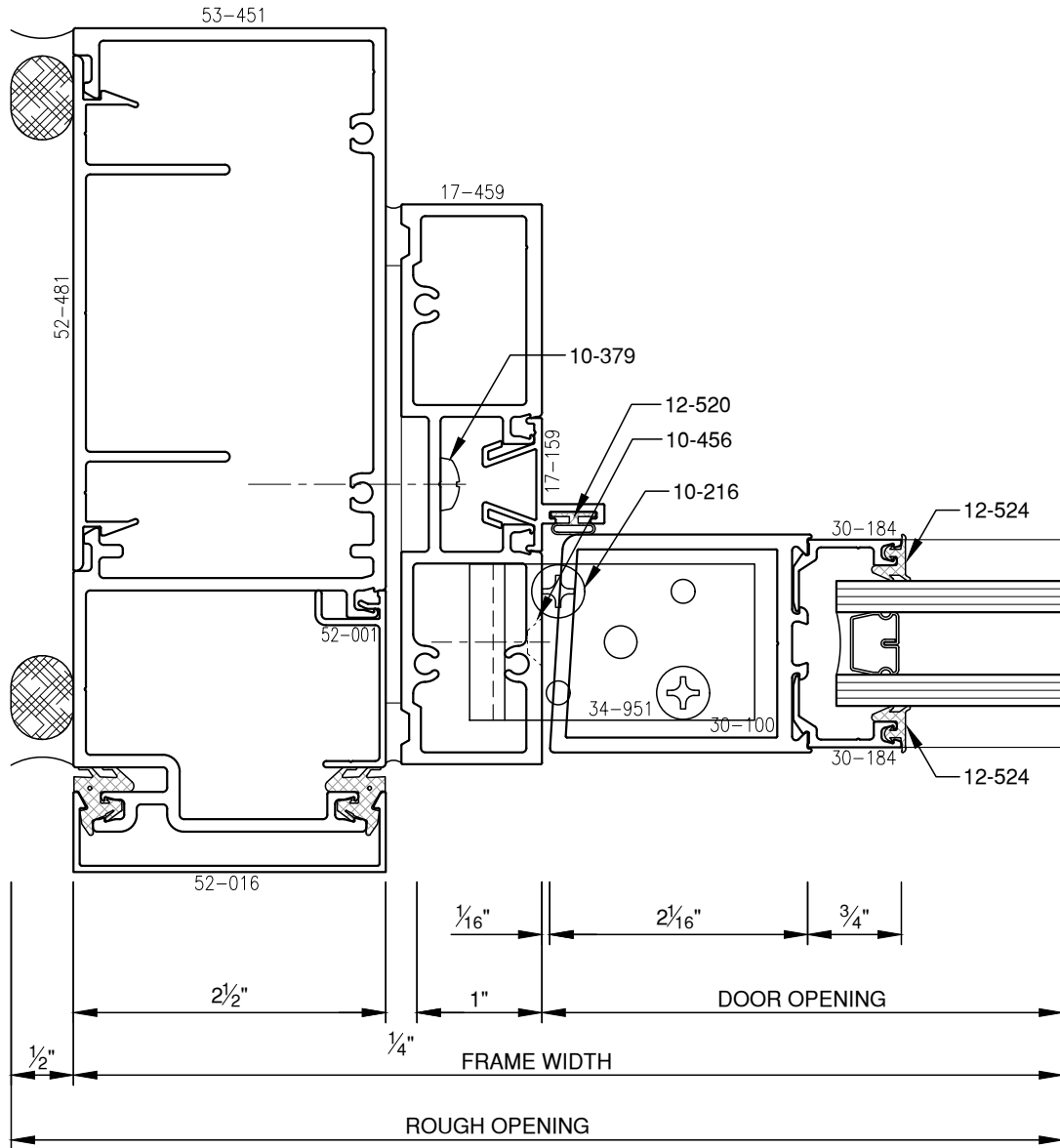
SCALE: 3/4

PITTC[®] ARCHITECTURAL METALS, INC.

1530 Landmeier Road Elk Grove Village, IL 60007 847-593-3131 fax: 847-593-9946



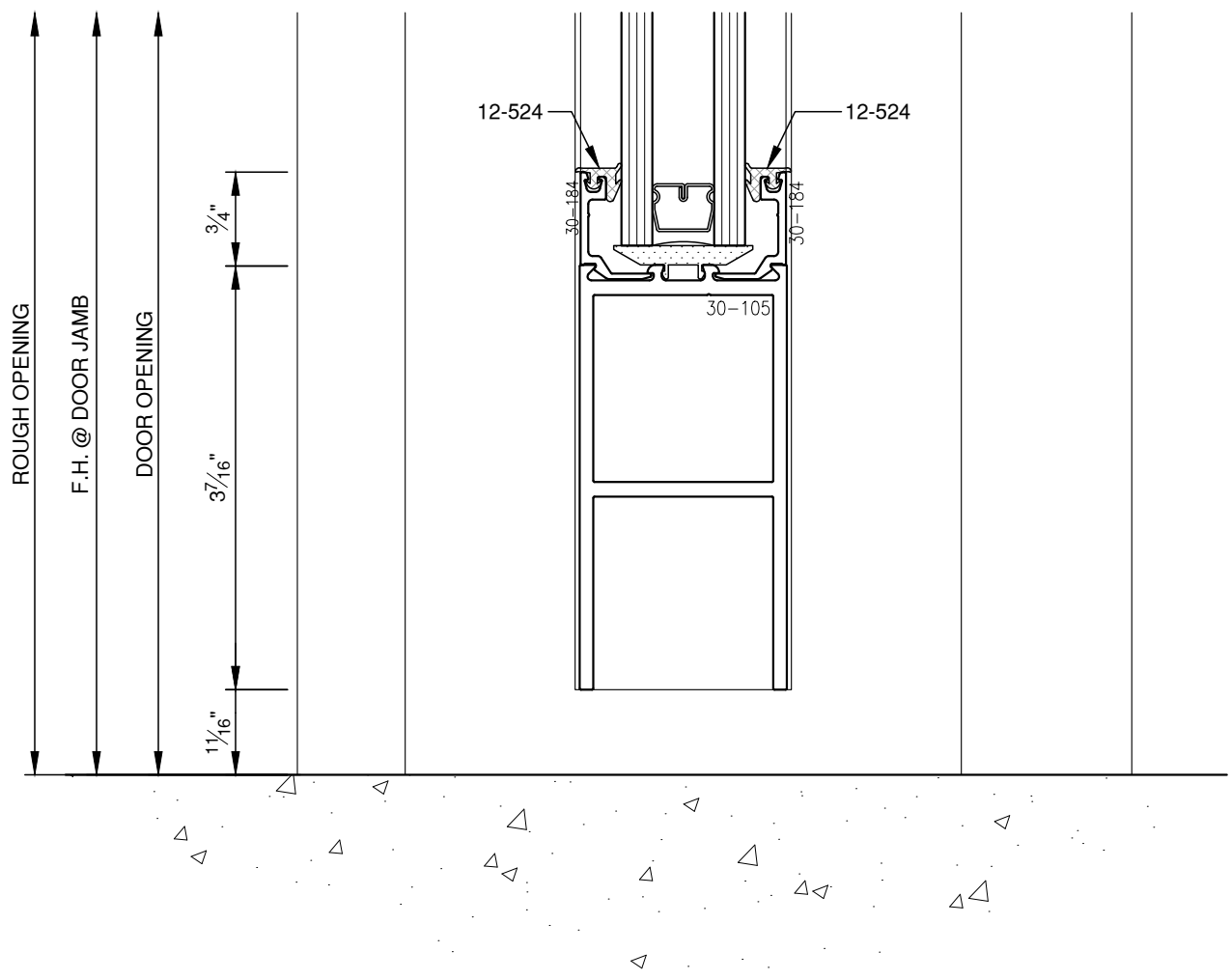
SCALE: 3/4



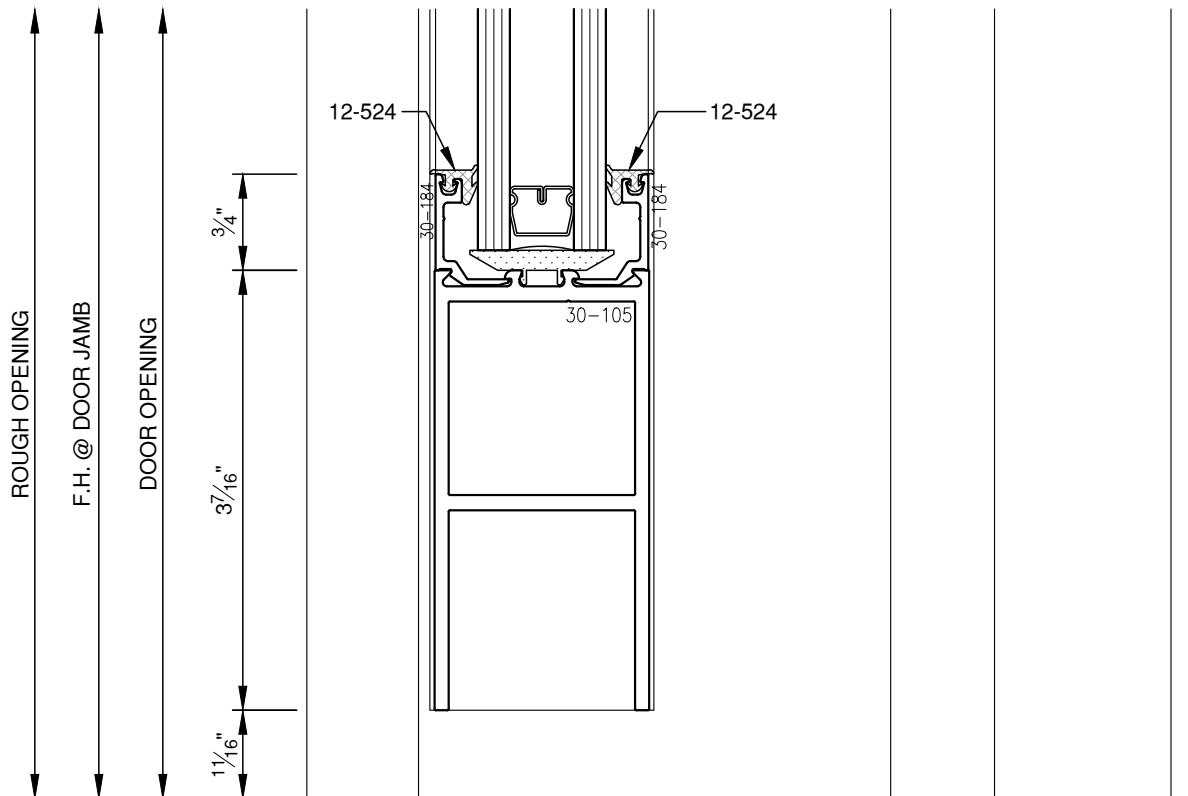
SCALE: 3/4

PITTC[®] ARCHITECTURAL METALS, INC.

1530 Landmeier Road Elk Grove Village, IL 60007 847-593-3131 fax: 847-593-9946



SCALE: 3/4



SCALE: 3/4