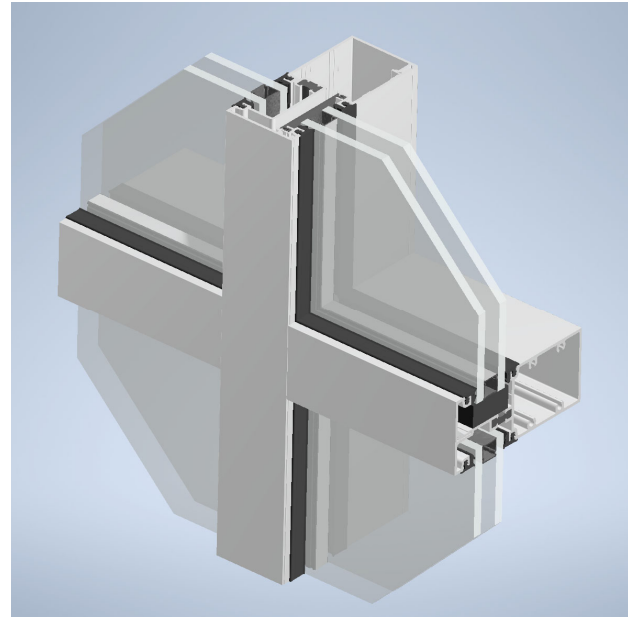
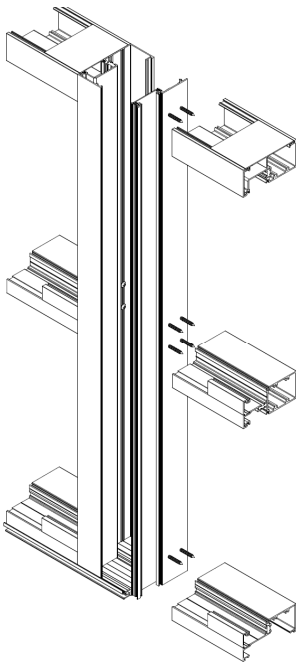


TMS-114T UF (+) Thermal front set storefront

This new system joins our family of storefronts to provide additional functionality and higher thermal performance over our standard front set system. Designed for 1" infill with adaptors and gasket options for 1/4" to 1 1/8". This will allow a multitude of options to enhance your project. Seamless integration with our standard, monumental and thermal doors.

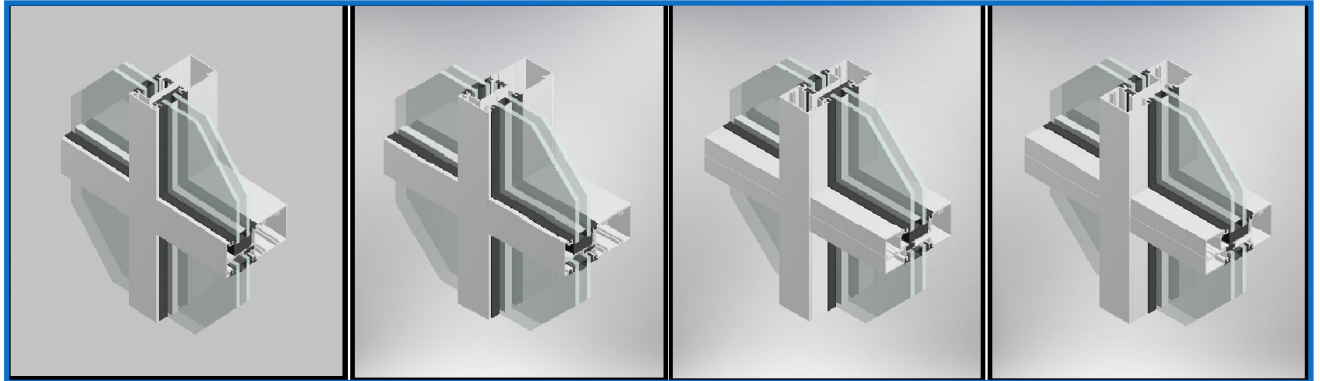


Features:

- 2" x 4 1/2" nominal overall dimension
- Screw spline and shear block assembly
- Inside and outside set options
- 2-pc 4 1/2" inside and outside 90° corners
- Standard and high performance subsills
- 2-pc thermal head receptor for standard 1/2" movement and an extended movement option for up to 1"
- Anodize class I and II
- Finishes meeting AAMA 2605 requirements
- Extended material and finish warranties are available



PITCO ARCHITECTURAL METALS, INC.

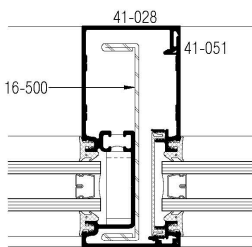


	TMS-114T UF (+)	TMS-114T UF	TMS-114T (+)	TMS-114T
ASTM E 330	30 PSF [~]	30 PSF	25 PSF	30 PSF
ASTM E 283	.025 cfm/ft ² @ 6.24 PSF [~]	.025 cfm/ft ² @ 6.24 PSF	.030 cfm/ft ² @ 6.24 PSF	.025 cfm/ft ² @ 6.24 PSF
ASTM E 331	0 @ 10 PSF [~]	0 @ 10 PSF	0 @ 12 PSF	0 @ 10 PSF
AAMA 501.1	0 @ 10 PSF [~]	0 @ 10 PSF	0 @ 12 PSF	0 @ 10 PSF
AAMA 1503	CRF 61 [~]	CRF 61	CRF 54 ¹	CRF 58
AAMA 1503	U Value .41 [~]	U Value .41	U Value .39 ¹	U Value .40
NFRC 100	U Value .38	U Value .40	U Value .36	U Value .39
NFRC 200	SHGC .25	SHGC .26	SHGC .24	SHGC .25
NFRC 500	CR 42	CR 40	CR 37	CR 31

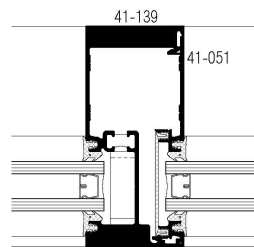
¹ 1" IGU (Solarban 70 XL, 1/2" argon filled space with high performance spacer, 1/4" glass)

¹ 1" IGU (Solarban 60 LowE, 1/2" argon with aluminum spacer, energy advantage lowE)

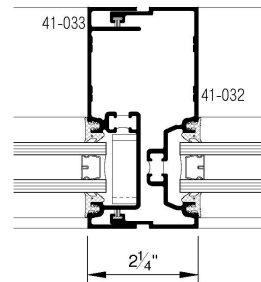
[~] TMS-114T UF testing



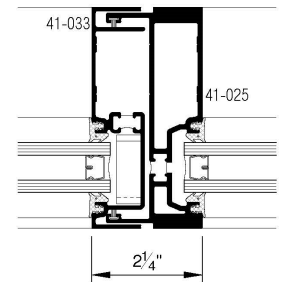
STANDARD MULLION w/
OPTIONAL STEEL



HEAVY WALL MULLION



EXPANSION MULLION



HEAVY WALL
EXPANSION MULLION